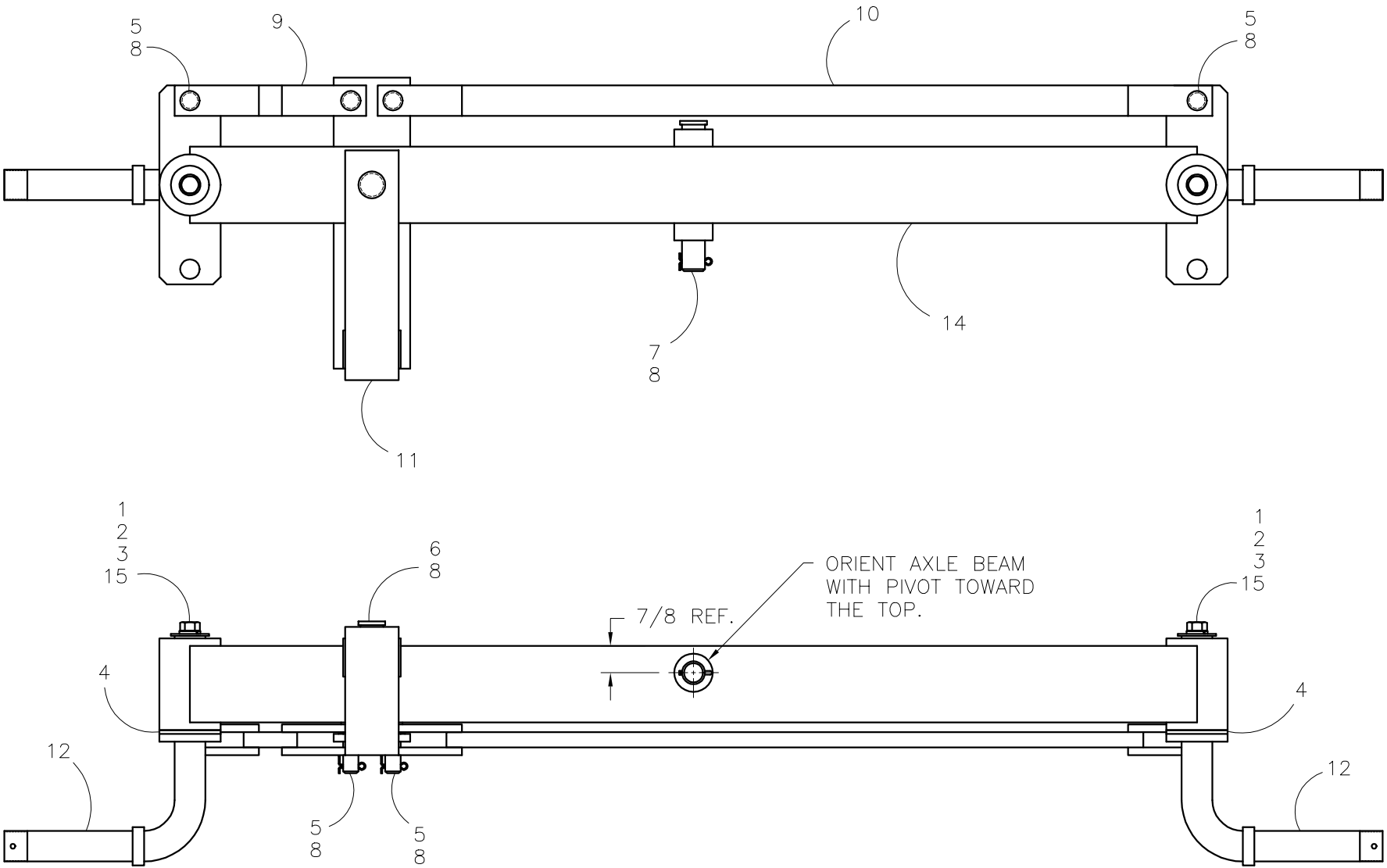




McElroy Manufacturing, Inc.
 The leader by design.
 Tulsa, Oklahoma U.S.A.

DRAWN: TLW	CHECK: TMT	APPRV'D: JRP	DATE: 11/18/96	DWG No: 1822000	SHT No: 1	REV No: B	PART No: 1822001
#412/#618 FRONT AXLE ASSEMBLY							CAD No: 1822001

NOTE: THIS DRAWING AND THE INFORMATION CONTAINED THEREIN IS THE CONFIDENTIAL AND PROPRIETARY PROPERTY OF McElroy Manufacturing, Inc. THE DRAWING IS NOT TO BE REPRODUCED IN ANY MANNER, SUBMITTED OUTSIDE PARTIES FOR EXAMINATION, OR USED DIRECTLY OR INDIRECTLY FOR THE PURPOSES OTHER THAN THOSE FOR WHICH IT WAS FURNISHED WITHOUT WRITTEN PERMISSION OF McElroy Manufacturing, Inc.



#412/#618 FRONT AXLE ASSEMBLYParts List

ITEM	PART NO.	QTY.	DESCRIPTION
	1822001	1	ASSEMBLY
1	MAB00063	2	3/8-16NC X 3/4 LG HHCS
2	MBE00007	2	3/8 LOCKWASHER
3	MBG00022	2	3/8 FENDER WASHER
4	MBG00062	2	THRUST WASHER
5	MCF00002	4	1/2 DIA. X 1 11/32 LG GRIP CLEVIS PIN
6	MCF00003	1	3/4 DIA. X 4 11/32 LG GRIP CLEVIS PIN
7	MCF00006	1	3/4 DIA. X 4 25/32 LG GRIP CLEVIS PIN
8	MCH00001	6	1/8 DIA. X 1 LG COTTER PIN
9	1206201	1	STEERING BAR WELDMENT
10	1206202	1	STEERING BAR WELDMENT
11	1206601	1	STEERING LINK WELDMENT
12	1206701	2	UNIVERSAL BAR SPINDLE WELDMENT
13			
14	1209801	1	FRONT AXLE WELDMENT
15	1855101	2	SPINDLE BUSHING

NOTES:

1. BRONZE BUSHINGS AND THRUST WASHERS MAY BE LUBRICATED WITH SAE 30W OIL. DO NOT USE GREASE.

DRAWING REVISION HISTORY LISTING

PART NO: 1822001

DESCRIPTION: #412/#618 FRONT AXLE ASSEMBLY

<u>APPR.</u>	<u>REV</u>	<u>DATE</u>	<u>BY</u>	<u>DESCRIPTION OF REVISION</u>
TMT	A	9/08/97	BB	ADD NOTE TO ORIENT AXLE BEAM WITH PIVOT TOWARD THE TOP.
TLW	B	02/15/00	BWW	REVISED ITEM #12 (1206701) FROM QTY. 1 TO 2, AND DELETED ITEM #13 (1206702) PER PCR # 99056.