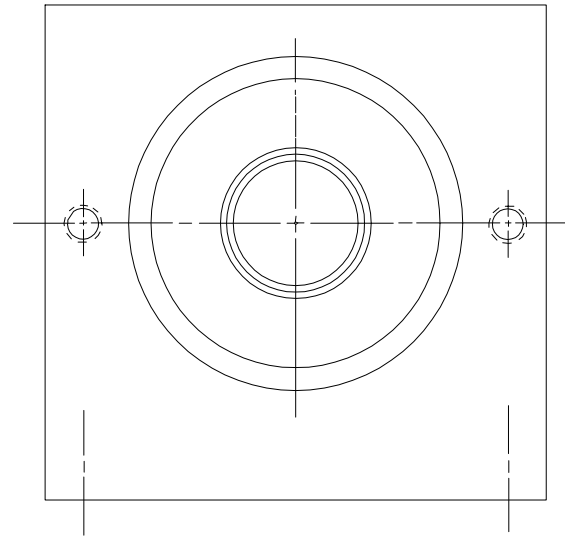
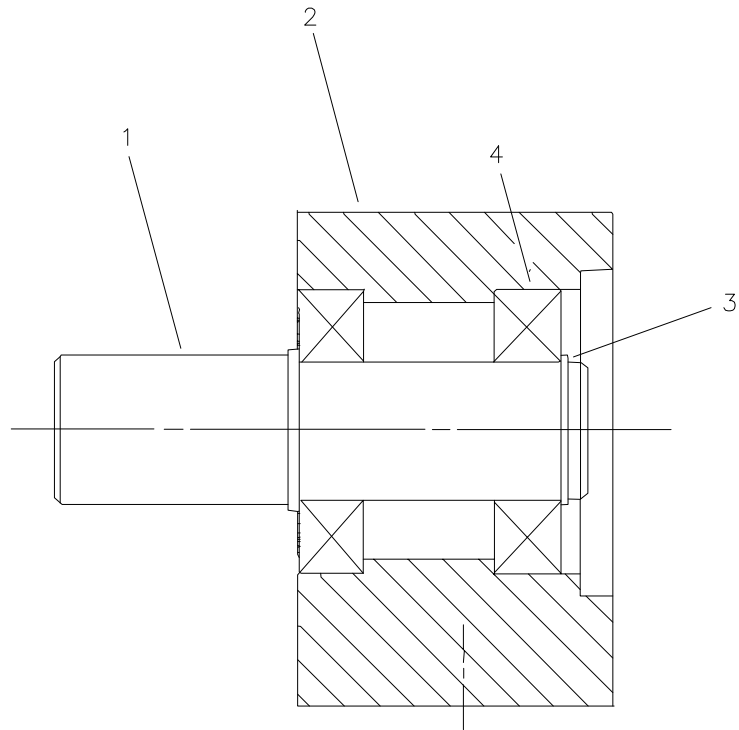




McElroy Manufacturing, Inc.
The leader by design.
Tulsa, Oklahoma U.S.A.

DRAWN: SWB	CHECK: BWP	APPRV'D: B	DATE: 4/25/95	DWG No: 1813400	SHT No: 2	REV No: A	PART No: 1813402
#412/#618 BEARING HOUSING ASSEMBLY							CAD No: 1813402

NOTE: THIS DRAWING AND THE INFORMATION CONTAINED THEREIN IS THE CONFIDENTIAL AND PROPRIETARY PROPERTY OF McElroy Manufacturing, Inc. THE DRAWING IS NOT TO BE REPRODUCED IN ANY MANNER, SUBMITTED OUTSIDE PARTIES FOR EXAMINATION, OR USED DIRECTLY OR INDIRECTLY FOR THE PURPOSES OTHER THAN THOSE FOR WHICH IT WAS FURNISHED WITHOUT WRITTEN PERMISSION OF McElroy Manufacturing, Inc.



#412/#618 BEARING HOUSING ASSEMBLYPARTS LIST

ITEM	PART NO.	QTY	DESCRIPTION
	1813402	1	Assembly
1	1813501	1	Pump Shaft
2	1813602	1	Bearing Housing
3	MCB00009	1	Snap Ring
4	MDM00068	2	Bearing

DRAWING REVISION HISTORY LISTING

PART NO: 1813402

DESCRIPTION: #412/#618 BEARING HOUSING ASSEMBLY

<u>APPR.</u>	<u>REV</u>	<u>DATE</u>	<u>BY</u>	<u>DESCRIPTION OF REVISION</u>
B	A	4/25/95	SWB	Scanned & reduced to 'A' size format. Created typed parts list.