

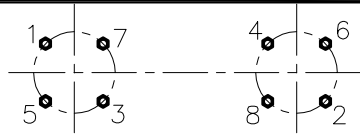


**McElroy Manufacturing, Inc.**  
 The leader by design.  
 Tulsa, Oklahoma U.S.A.

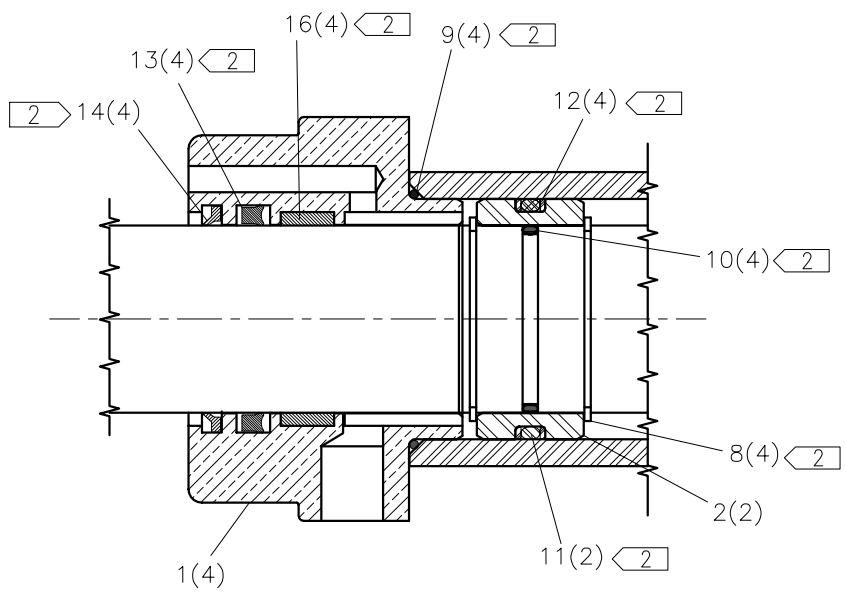
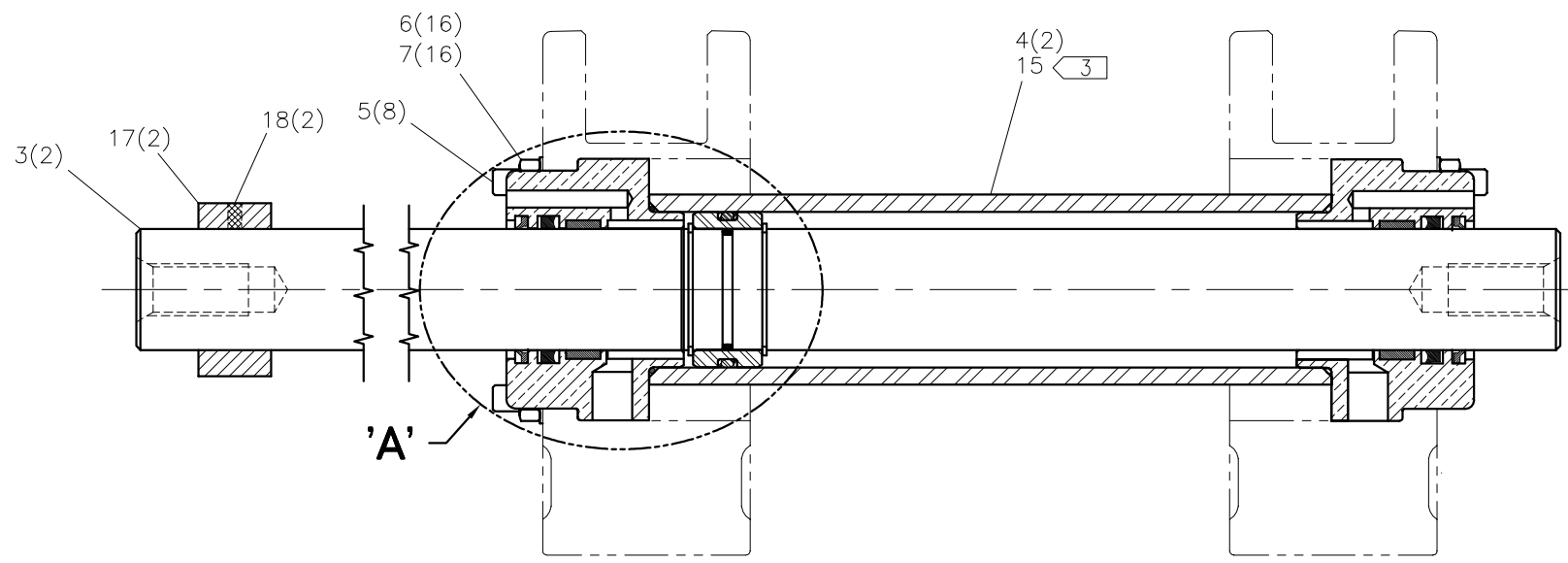
DRAWN: BWW    CHECK: SWB    APPRV'D: SWB    DATE: 07/26/05    SHT No.: 1    REV No.:    PART No.: 1251901

#412 LOW FORCE CYLINDER ASSEMBLY SET

NOTE: THIS DRAWING AND THE INFORMATION CONTAINED THEREIN IS THE CONFIDENTIAL AND PROPRIETARY PROPERTY OF McElroy Manufacturing, Inc. THE DRAWING IS NOT TO BE REPRODUCED IN ANY MANNER, SUBMITTED OUTSIDE PARTIES FOR EXAMINATION, OR USED DIRECTLY OR INDIRECTLY FOR THE PURPOSES OTHER THAN THOSE FOR WHICH IT WAS FURNISHED WITHOUT WRITTEN PERMISSION OF McElroy Manufacturing, Inc.



TIE ROD TORQUE PROCEDURE:  
 TIGHTEN TIE ROD NUTS IN  
 SEQUENCE 16-20 Ft. Lbs.



**NOTES:**

1. TOTAL EFFECTIVE PISTON AREA = 3.14 SQ. IN.
2. THESE ITEMS ARE PART OF PART NUMBER A1856801 SEAL KIT.
3. ATTACH TO THE OUTSIDE OF ONE CARRIAGE CYLINDER.
4. ITEMS SHOWN IN PARENTHESIS REFLECT QUANTITIES IN A LOCAL GROUP AND MAY NOT INDICATE TOTAL ASSEMBLY QUANTITIES.

**#412 LOW FORCE CYLINDER ASSEMBLY SET**PARTS LIST

ITEM	PART NO.	QTY	DESCRIPTION
	<b>1251901</b>		<b>ASSEMBLY</b>
1	1205601	4	LOW FORCE ROD GLAND
2	1856802	2	LOW FORCE PISTON
3	1202301	2	GUIDE ROD
4	1205801	2	LOW FORCE CARRIAGE CYLINDER
5	1204301	8	TIE ROD
6	MBA00047	16	3/8-24NF FINISHED HEX NUT
7	MBG00001	16	3/8 TYPE 'AN' FLAT WASHER
8	MCB00011	4	EXTERNAL SNAP RING
9	MDL00188	4	O-RING
10	MDL00003	2	O-RING
11	MDL00224	2	O-RING
12	MDL00225	4	BACK-UP RING
13	MDL00091	4	SEAL
14	MDL00092	4	SLOTTED WIPER
15	816374	1	3.14 SQ. IN. TEPA LABEL
16	MDM00279	2	2" OD GLAND BEARING RING
17	1856803	2	GUIDE ROD COLLAR
18	MAG00002	2	#10-24NC X 3/8 LG SOCKET SET SCREW