

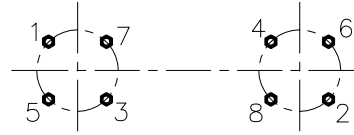


McElroy Manufacturing, Inc.
 The leader by design.
 Tulsa, Oklahoma U.S.A.

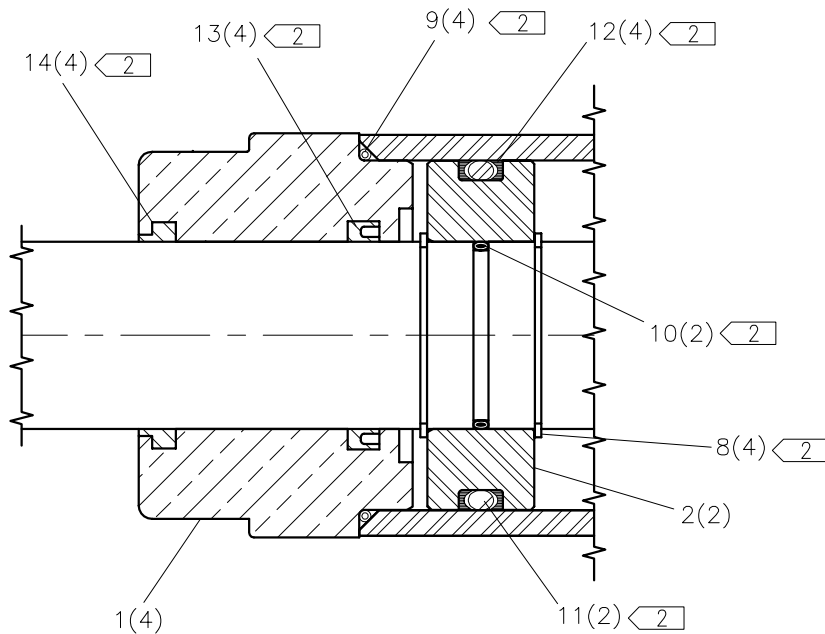
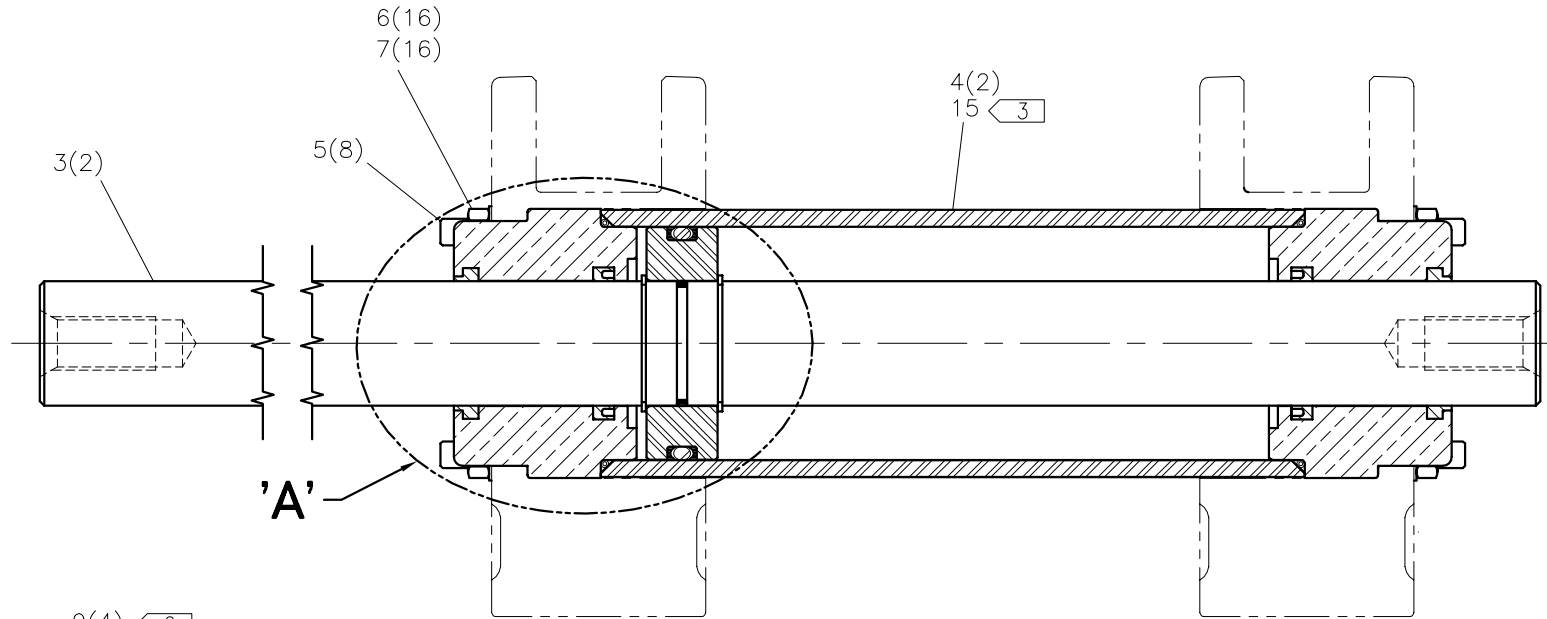
DRAWN: BWW	CHECK: SWB	APPRV'D: SWB	DATE: 07/26/05	SHT No: 1	REV No:	PART No: 1251701
------------	------------	--------------	----------------	-----------	---------	------------------

#412 HIGH FORCE CYLINDER ASSEMBLY SET (STD)

NOTE: THIS DRAWING AND THE INFORMATION CONTAINED THEREIN IS THE CONFIDENTIAL AND PROPRIETARY PROPERTY OF McElroy Manufacturing, Inc. THE DRAWING IS NOT TO BE REPRODUCED IN ANY MANNER, SUBMITTED OUTSIDE PARTIES FOR EXAMINATION, OR USED DIRECTLY OR INDIRECTLY FOR THE PURPOSES OTHER THAN THOSE FOR WHICH IT WAS FURNISHED WITHOUT WRITTEN PERMISSION OF McElroy Manufacturing, Inc.



TIE ROD TORQUE PROCEDURE:
 TIGHTEN TIE ROD NUTS IN
 SEQUENCE 16-20 Ft. Lbs.



NOTES:

1. TOTAL EFFECTIVE PISTON AREA = 11.78 SQ. IN.
2. THESE ITEMS ARE PART OF PART NUMBER A1811201 SEAL KIT.
3. ATTACH TO THE OUTSIDE OF ONE CARRIAGE CYLINDER.
4. ITEMS SHOWN IN PARENTHESIS REFLECT QUANTITIES IN A LOCAL GROUP AND MAY NOT INDICATE TOTAL ASSEMBLY QUANTITIES.

#412 HIGH FORCE CYLINDER ASSEMBLY SET (STD)PARTS LIST

ITEM	PART NO.	QTY	DESCRIPTION
	1251701		ASSEMBLY
1	1202501	4	HF ROD GLAND
2	1202201	2	HF PISTON
3	1202301	2	GUIDE ROD
4	1202401	2	HF CARRIAGE CYLINDER
5	1204301	8	TIE ROD
6	MBA00047	16	3/8-24NF FINISHED HEX NUT
7	MBG00001	16	3/8 TYPE 'AN' FLAT WASHER
8	MCB00011	4	EXTERNAL SNAP RING
9	MDL00009	4	O-RING
10	MDL00013	2	O-RING
11	MDL00003	2	O-RING
12	MDL00027	4	BACK-UP RING
13	MDL00091	4	SEAL
14	MDL00092	4	SLOTTED WIPER
15	816344	1	11.78 SQ. IN. TEPA LABEL