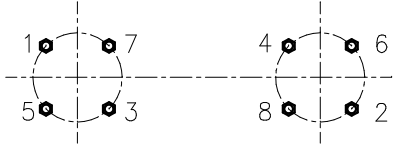




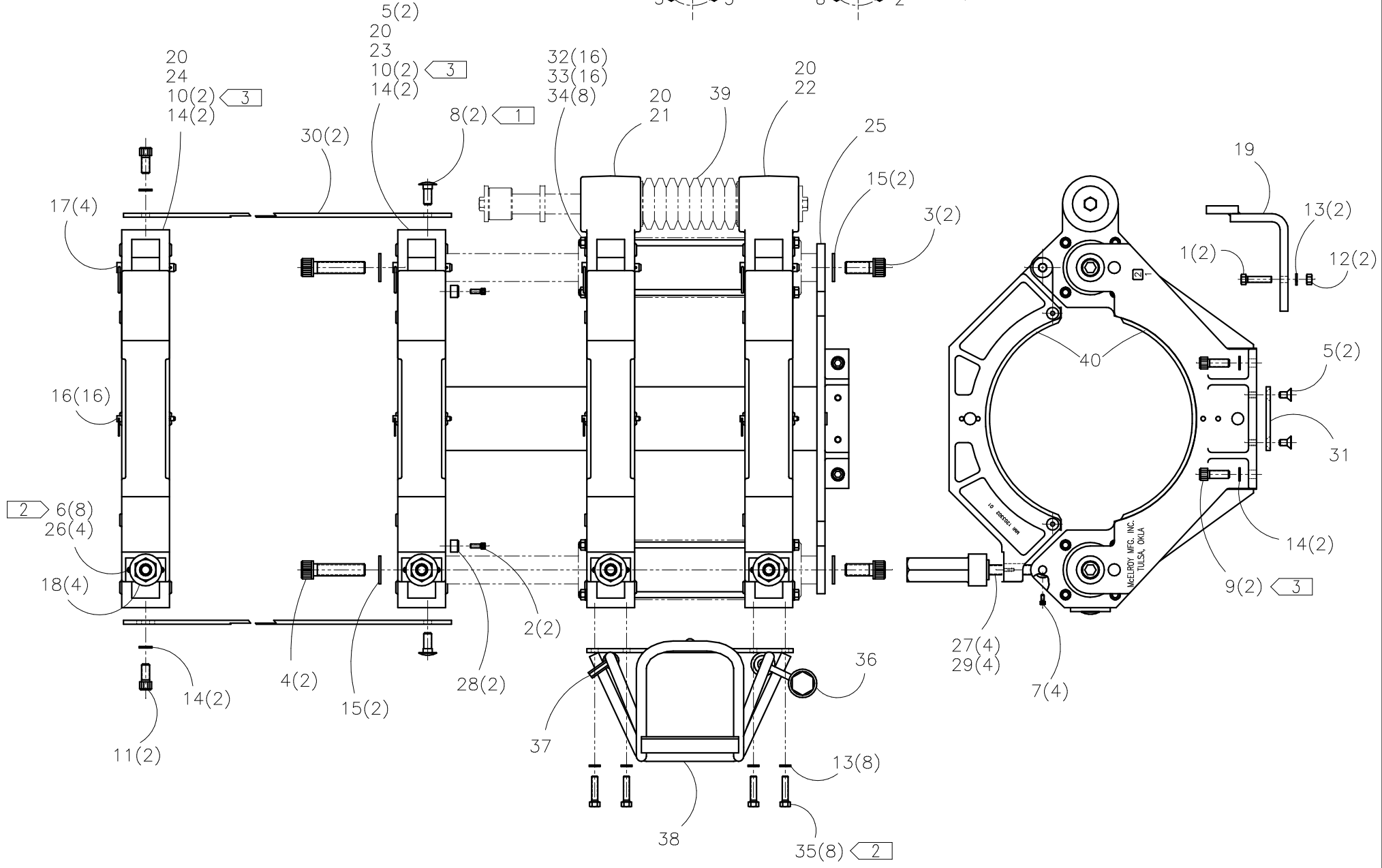
**McElroy Manufacturing, Inc.**  
The leader by design.  
Tulsa, Oklahoma U.S.A.

DRAWN: TLW	CHECK: TMT	APPRV'D: SWB	DATE: 1/9/97	DWG No: 1243200	SHT No: 1	REV No: B	PART No: 1243201
#412 DIPS JAW SET ASSEMBLY							CAD No: 1243201

NOTE: THIS DRAWING AND THE INFORMATION CONTAINED THEREIN IS THE CONFIDENTIAL AND PROPRIETARY PROPERTY OF McElroy Manufacturing, Inc. THE DRAWING IS NOT TO BE REPRODUCED IN ANY MANNER, SUBMITTED OUTSIDE PARTIES FOR EXAMINATION, OR USED DIRECTLY OR INDIRECTLY FOR THE PURPOSES OTHER THAN THOSE FOR WHICH IT WAS FURNISHED WITHOUT WRITTEN PERMISSION OF McElroy Manufacturing, Inc.



TIE ROD TORQUE PROCEDURE:  
TIGHTEN TIE ROD NUTS IN  
SEQUENCE 16-20 Ft. Lbs.



**#412 DIPS JAW SET ASSEMBLY**Parts List

ITEM	PART NO.	QTY.	DESCRIPTION
	<b>1243201</b>		<b>ASSEMBLY</b>
1	MAA00066	2	3/8-16NC X 1 1/2 LG HHCS
2	MAC00052	2	1/4-20NC X 5/8 LG SHCS
3	MAC00182	2	3/4-10NC X 1 1/2 LG SHCS
4	MAC00188	2	3/4-10NC X 3 LG SHCS
5	MAD00072	4	3/8-16NC X 3/4 LG FHSCS
6	MAE00023	8	#10-24NC X 1/2 LG BHSCS
7	MAG00002	4	#10-24NC X 3/8 LG SHSS NYL LK W/HALF DOG PT.
8	MAI00001	2	1/2-13NC X 1 LG CRG. BOLT
9	MAN00017	2	1/2-13NC X 1 1/4 LG SHCS SS
10	MAN00019	4	1/2-13NC X 4 1/2 LG SHCS SS
11	MAN00020	2	1/2-13NC X 1 LG SHCS SS
12	MBA00007	2	3/8-16NC HEX NUT
13	MBE00007	10	3/8 LOCK WASHER
14	MBE00009	8	1/2 LOCK WASHER
15	MBG00010	4	3/4 FLAT WASHER
16	MCE00003	16	1/4 DIA. X 3.00 GRIP DETENT PIN
17	MCE00007	4	1/2 DIA. X 3.00 GRIP DETENT PIN
18	A1226301	4	CLAMP KNOB ASSEMBLY
19	1201201	1	FACER STOP
20	1203302	4	DIPS UPPER JAW
21	1203502	1	DIPS LOWER INNER HYDRAULIC JAW
22	1203503	1	DIPS LOWER OUTER HYDRAULIC JAW
23	1203203	1	DIPS LOWER INNER FIXED JAW
24	1203204	1	DIPS LOWER OUTER FIXED JAW
25	1203402	1	GUIDE ROD SUPPORT PLATE
26	1210501	4	CLAMP KNOB PAD
27	1217101	4	CLAMP EYE BOLT
28	1225701	2	REST BUTTON
29	1226501	4	PIVOT PIN
30	1242801	2	BRACE
31	1814601	1	CARRIAGE SUPPORT BRACKET
32	MBA00047	16	3/8-24NF HEX NUT
33	MBG00001	16	3/8 FLAT WASHER
34	1204301	8	TIE ROD
35	MAA00063	8	3/8-16NC X 3/4 LG HHCS
36	1818501	1	SPEED WRENCH
37	MJL00018	1	3/8 HEX KEY WRENCH - LONG
38	1853101	1	MANIFOLD BRACKET WELDMENT
39	1824001	1	#412/#618 FACER PIVOT SHAFT ASSEMBLY
40	1203101	8	12" IPS/DIPS MASTER INSERT

**#412 DIPS JAW SET ASSEMBLY**Parts List

---

ITEM	PART NO.	QTY.	DESCRIPTION
------	----------	------	-------------

---

**NOTES:**

1. INSTALL WITH LOCTITE #242 WITH HEAD 9/32" FROM JAW.
2. INSTALL WITH LOCTITE #242.
3. INSTALL WITH C-5A OR NEVER SEEZ ANTI-SEIZE LUBRICATION.

## DRAWING REVISION HISTORY LISTING

**PART NO:** 1243201

**DESCRIPTION:** #412 DIPS JAW SET ASSEMBLY

<u>APPR.</u>	<u>REV</u>	<u>DATE</u>	<u>BY</u>	<u>DESCRIPTION OF REVISION</u>
SWB	A	7/17/97	BB	CORRECTED ITEM 16 QTY FROM 8 TO 16. ADDED THE WORD 'DIPS' ON ITEM NO.'S 20,21,22,23,24 ON PARTS LIST. ADDED ITEM 40 PART NO. 1203101, QTY 8, 12" IPS MASTER INSERT FOR 12" DIPS JAW LEFT OFF IN ORIGINAL DRAWING.
TLW	-	12/12/97	TGW	REVISED ITEM 38 DESCRIPTION FROM 'GUARD' TO 'MANIFOLD BRACKET WELDMENT'.
TLW	B	02/03/00	RLE	ADDED 1/2" LOCK WASHERS, ITEM #14 MBE00009, TO FIXED JAW BRACE TO MATCH AS BUILT.