

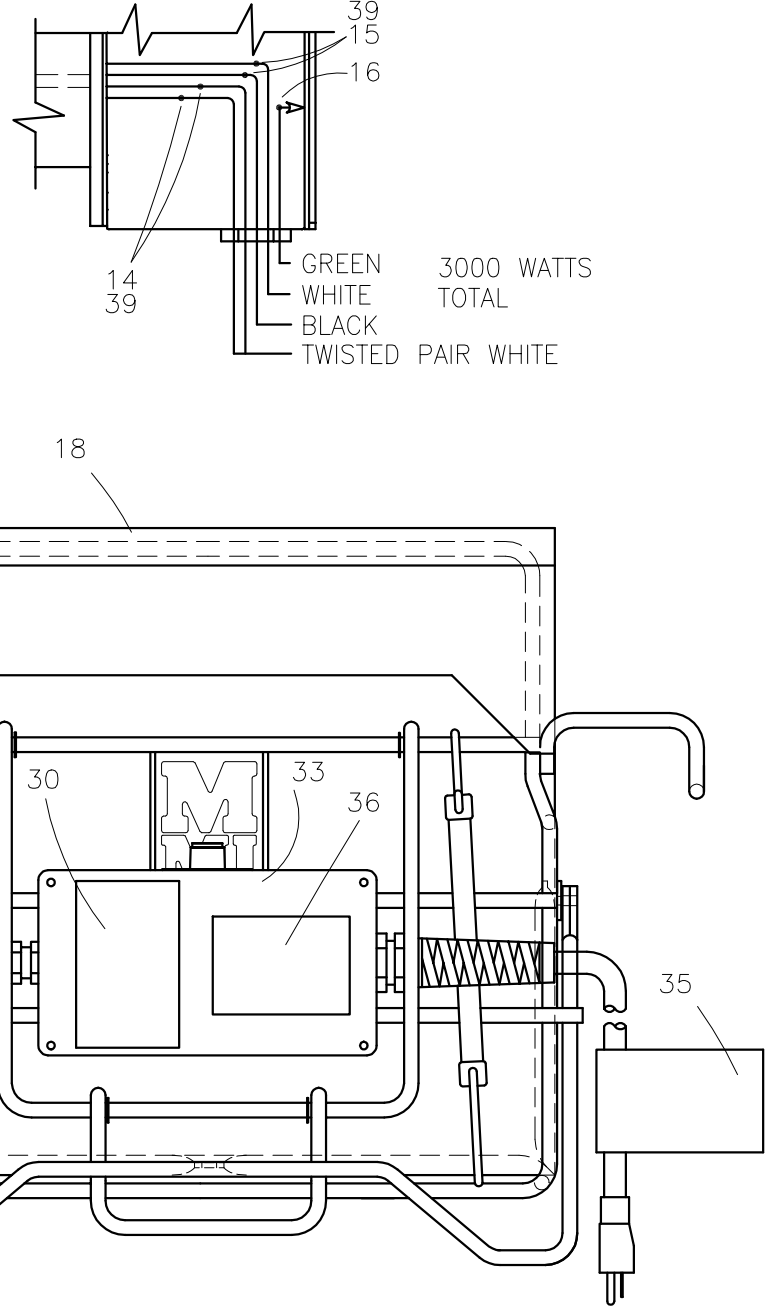
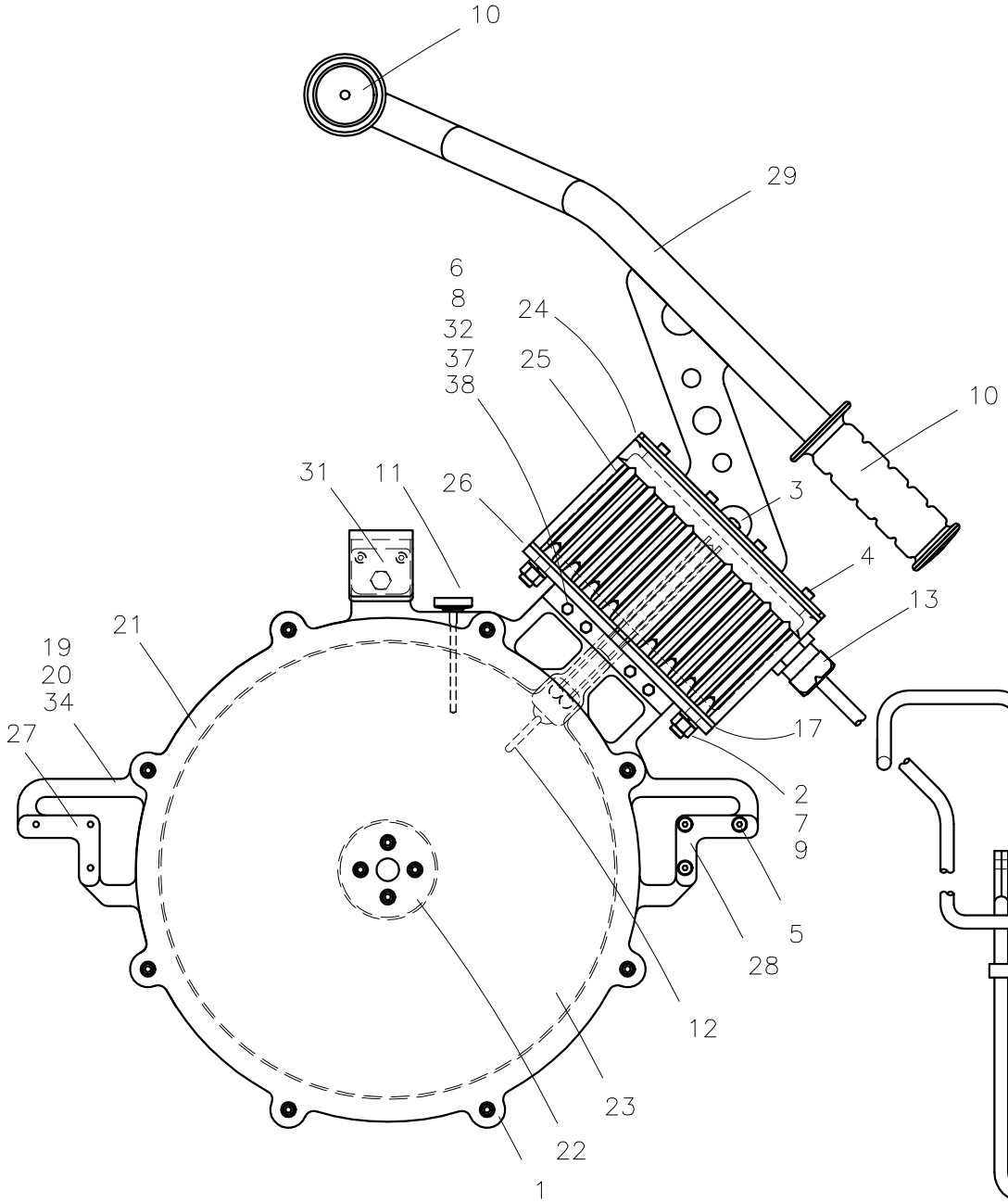


McElroy Manufacturing, Inc.
 The leader by design.
 Tulsa, Oklahoma U.S.A.

DRAWN: AH	CHECK: JRP	APPRV'D: JRP	DATE: 2/7/97	DWG No: 1242100	SHT No: 1	REV No: B	PART No: 1242101
#412 LW HEATER ASSEMBLY 220-240V, 50/60Hz, 1Ph							CAD No: 1242101

NOTE: THIS DRAWING AND THE INFORMATION CONTAINED THEREIN IS THE CONFIDENTIAL AND PROPRIETARY PROPERTY OF McElroy Manufacturing, Inc. THE DRAWING IS NOT TO BE REPRODUCED IN ANY MANNER, SUBMITTED OUTSIDE PARTIES FOR EXAMINATION, OR USED DIRECTLY OR INDIRECTLY FOR THE PURPOSES OTHER THAN THOSE FOR WHICH IT WAS FURNISHED WITHOUT WRITTEN PERMISSION OF McElroy Manufacturing, Inc.

ELECTRICAL SCHEMATIC



**#412 LW HEATER ASSEMBLY
220-240V,50/60HZ,1PH**

Parts List

ITEM	PART NO.	QTY.	DESCRIPTION
	1242101	1	ASSEMBLY
1	A1242108	1	#412 LW HEATER BUTT FUSION PLATE KIT
2	MAC00095	2	3/8-16NC X 1-1/4"LG SHCS STL PL
3	MAH00030	1	#10-24NC X 1/4"LG RHSMS SS
4	MAH00046	8	#10-24 X 1/2"LG SHCS 18-8SS
5	MAN00036	6	#10-32NF X 7/8"LG. FHSCS SS
6	MBA00004	4	10-24NC FINISHED HEX NUT STL PL
7	MBA00007	2	3/8-16NC FINISHED HEX NUT STL PL
8	MBE00004	4	#10 REG SPLIT LK WASHER STL PL
9	MBE00007	2	3/8" REG SPLIT LK WASHER STL PL
10	MJJ00009	2	HAND GRIP
11	MJK00002	1	THERMOMETER
12	MKI00003	1	100 OHM PLATINUM RTD
13	MLK00022	1	1/2" STRAIN RELIEF CONNECTOR
14	MJQ00046	2	FERRULE
15	MJQ00026	2	FERRULE
16	MLM00013	1	CONNECTOR
17	1207302	1	GASKET-TERMINAL ENCLOSURE
18	1234202	1	#412 LIGHT WEIGHT HEATER BAG ASSEMBLY
19	1242103	1	#412 LW HEATER BODY (RIGHT)
20	1242104	1	#412 LW HEATER BODY (LEFT)
21	1242105	1	#412 LW HEATER O.D. SPACER
22	1242106	1	#412 LW HEATER I.D. SPACER
23	1242201	1	#412 LW HEATER MICA/FOIL ELEMENT (240V)
24	1808102	1	GASKET
25	1810905	1	#28 LW HEATER TERMINAL ENCLOSURE
26	1852008	1	LW HEATER TERMINAL ENCLOSURE ADAPTER BRACKET
27	1852011	2	LW HEATER GUIDE ROD SUPPORT BRACKET
28	1852012	2	LW HEATER GUIDE ROD SUPPORT BRACKET
29	838007	1	#28 LW HEATER HANDLE ASSEMBLY
30	838016	1	LABEL-WARNING NOT EXPLOSION PROOF
31	A1242107	1	#412 LW HEATER STRIPPER BAR KIT
32	MAN00008	4	#10-24NC X 1" LG SHCS SS
33	1242109	1	LW HEATER ELEC ASSY, 220-240V, 50/60HZ, 1PH
34	MAN00023	19	#8-32NC X 5/16 LG SHCS SS
35	410906	1	DANGER NOT EXPLOSION PROOF TAG LABEL
36	841203	1	MODEL 1242101 PART NUMBER LABEL
37	1852017	1	LW HEATER .004 THICK SHIM
38	1852018	1	LW HEATER .018 THICK SHIM
39	MLN00219	1ft	FIBERGLASS TAPE

DRAWING REVISION HISTORY LISTING

PART NO: 1242101
DESCRIPTION: #412 LW HEATER ASSEMBLY

<u>APPR.</u>	<u>REV</u>	<u>DATE</u>	<u>BY</u>	<u>DESCRIPTION OF REVISION</u>
TLW	A	11/4/98	MLM	ADDED ITEMS 37 (1852017) AND 38 (1852018)
SWB	-	04/17/00	TLW	REVISED ITEM #5 MAN00016 #10-32NF X 3/4 LG FHSCS SS TO MAN00036 #10-32NF X 7/8 LG FHSCS SS. DUE TO STACK-UP OF TOLERANCES, MAN00016 COULD BE TOO SHORT.
RAD	B	09/14/01	BWW	REVISED TO CHANGE ITEM 14 FROM MLM00002 TO MJQ00046 AND ITEM 15 FROM MLM00010 TO MJQ00026, ALSO ADDED ITEM 39 MLN00219 TO IMPROVE TEMPERATURE RESISTANCE OF WIRE SPLICES.