



McElroy Manufacturing, Inc.

The leader by design.

Tulsa, Oklahoma U.S.A.

DRAWN: RLE

CHECK: DWP

APPRVD: JRP

DATE: 5/2/03

DWG No: 864200

SHT No: 1

REV No: F

PART No: 864201

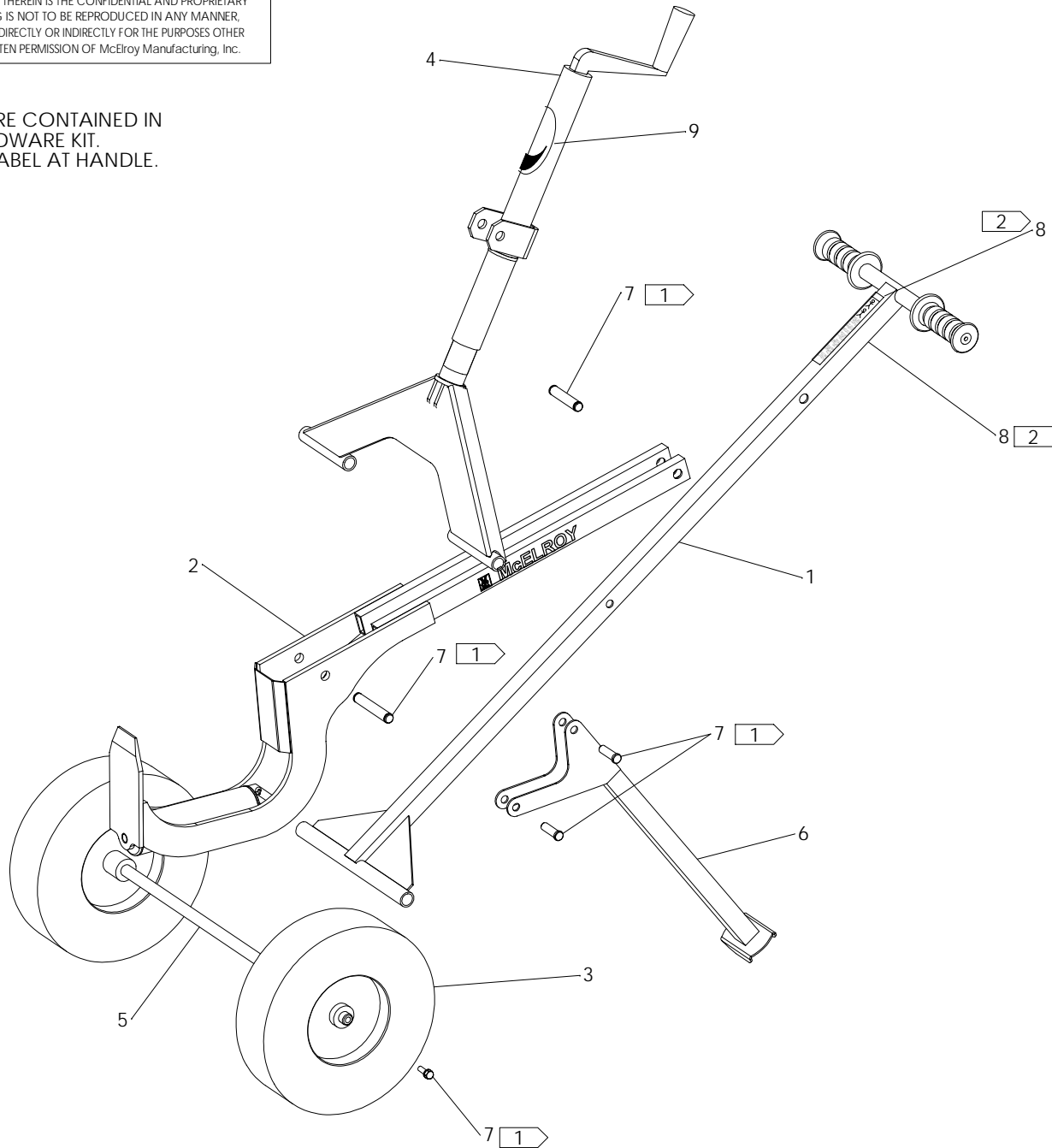
CAD No: 864201

2-8" PolyPorter™ PIPE HANDLER

NOTE: THIS DRAWING AND THE INFORMATION CONTAINED THEREIN IS THE CONFIDENTIAL AND PROPRIETARY PROPERTY OF McElroy Manufacturing, Inc. THE DRAWING IS NOT TO BE REPRODUCED IN ANY MANNER, SUBMITTED TO OUTSIDE PARTIES FOR EXAMINATION, OR USED DIRECTLY OR INDIRECTLY FOR THE PURPOSES OTHER THAN THOSE FOR WHICH IT WAS FURNISHED WITHOUT WRITTEN PERMISSION OF McElroy Manufacturing, Inc.

NOTES:

1. ALL HARDWARE ITEMS ARE CONTAINED IN A864201 PolyPorter HARDWARE KIT.
2. POSITION WITH TOP OF LABEL AT HANDLE.



2-8" PolyPorter™ PIPE HANDLERParts List

ITEM	PART NO.	QTY.	DESCRIPTION
	864201		ASSEMBLY
1	864202	1	PolyPorter HANDLE ASSEMBLY WITH GRIPS
2	864203	1	PolyPorter HOOK ARM WITH ROLLER ASSEMBLY
3	864206	2	PolyPorter WHEEL ASSEMBLY WITH BEARING
4	864204	1	PolyPorter JACK ASSEMBLY
5	864207	1	PolyPorter AXLE
6	864205	1	PolyPorter LEG ASSEMBLY
7	A864201	1	PolyPorter HARDWARE KIT
8	865201	2	SAFETY LABEL
9	865301	1	LOGO LABEL

DRAWING REVISION HISTORY LISTING

PART NO: 864201
DESCRIPTION: 2-8" PolyPorter™ PIPE HANDLER

<u>APPR.</u>	<u>REV</u>	<u>DATE</u>	<u>BY</u>	<u>DESCRIPTION OF REVISION</u>
DWP	A	9/9/03	RLE	REVISED DRAWING DESCRIPTION FROM #28 WHEELED PIPE LIFT ASSEMBLY TO 2-8" POLYPORTER PIPE HANDLER.
DWP	B	10/1/03	ALK	REVISED ITEM #6 FROM MCF00013 TO MCF00031 POLYPORTER PULL PIN. ADDED "POLYPORTER" TO DESCRIPTION ON ITEM #8 & ADDED "x 2 LG." TO ITEM #19 DESCRIPTION.
SWB	C	01/06/04	BWW	UPDATED DRAWING TO REFLECT REPLACEMENT PART NUMBERS.
DWP	D	10/4/04	RLE	ADDED ITEM #8 8163118 QTY. (2), ITEM #9 865201 QTY. (2), ITEM #10 865301 QTY. (1), ADDED NOTES #2, #3 & #4, REMOVED ITEM #7 A864201 HARDWARE KIT, IT IS NOT NECESSARY TO CALL OUT HARDWARE KIT AS AN ITEM IT IS CALLED OUT IN NOTE #1.
DWP	E	02/08/05	JAB	UPDATED DRAWING TO SHOW BRANDING ON ITEM #2.
SWB	F	10/05/05	BWW	REMOVED NOTES 3 AND 4 FOR VENDOR SPECIFICATIONS AND MOVED TO PURCHASING SPECIFICATION DOCUMENT 864201. MOVED NOTES TO FACE OF DRAWING AND ADDED A864201 BACK TO PARTS LIST AS ITEM 7 FOR CLARITY ON PARTS FINDER PROJECT. RENUMBERED DRAWING TO ELIMINATE GAPS IN ITEM NUMBER SEQUENCE.