



**McElroy Manufacturing, Inc.**  
The leader by design.  
Tulsa, Oklahoma U.S.A.

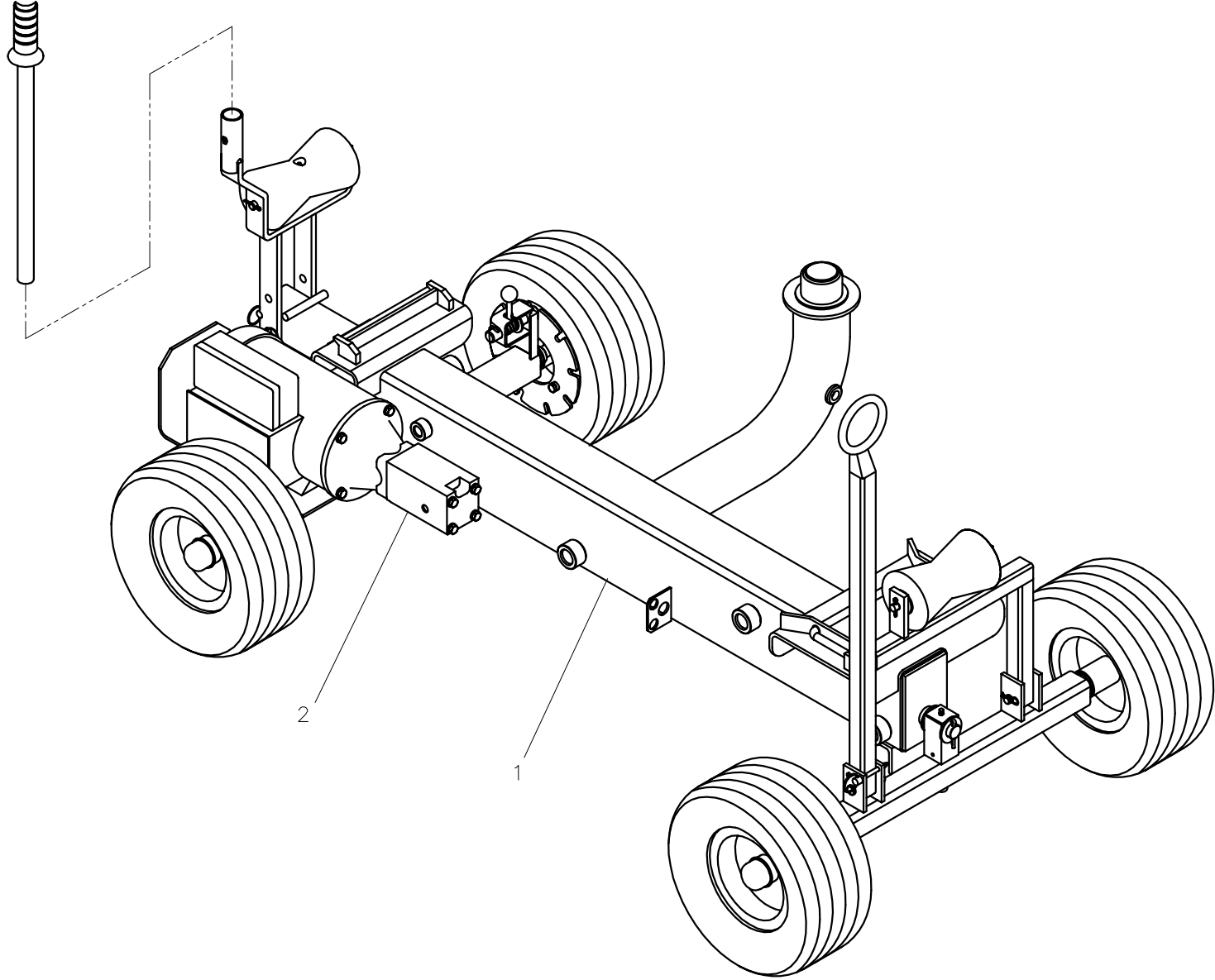
DRAWN:	BWW	CHECK:	SWB	APPRV'D:	SWB	DATE:	3/9/04	SHT No.:	3	REV No.:	A	PART No.:	860703
--------	-----	--------	-----	----------	-----	-------	--------	----------	---	----------	---	-----------	--------

#28 100V, 50/60Hz, 1Ph ROLLING CHASSIS ASSEMBLY

NOTE: THIS DRAWING AND THE INFORMATION CONTAINED THEREIN IS THE CONFIDENTIAL AND PROPRIETARY PROPERTY OF McElroy Manufacturing, Inc. THE DRAWING IS NOT TO BE REPRODUCED IN ANY MANNER, SUBMITTED OUTSIDE PARTIES FOR EXAMINATION, OR USED DIRECTLY OR INDIRECTLY FOR THE PURPOSES OTHER THAN THOSE FOR WHICH IT WAS FURNISHED WITHOUT WRITTEN PERMISSION OF McElroy Manufacturing, Inc.

NOTES:

1. SEE DRAWING 860901 (ITEM 3) FOR HYDRAULIC SCHEMATIC LAYOUT AND COMPONENTS.
2. SEE DRAWING 861001 (ITEM 4) FOR PLUMBING SCHEMATIC LAYOUT AND COMPONENTS.



**#28 100V, 50/60Hz, 1Ph ROLLING CHASSIS ASSEMBLY**Parts List

ITEM	PART NO.	QTY.	DESCRIPTION
	<b>860703</b>		<b>ASSEMBLY</b>
1	861201	1	#28 ROLLING CHASSIS ASSEMBLY
2	839702	1	#28 ELECTRICAL BOX/MOTOR SUB-ASSEMBLY 100V, 50/60Hz, 1Ph
3	860901	1	#28 HYDRAULIC SCHEMATIC
4	861001	1	#28 PLUMBING SCHEMATIC

## DRAWING REVISION HISTORY LISTING

**PART NO:** 860703

**DESCRIPTION:** #28 100V, 50/60Hz, 1Ph ROLLING CHASSIS ASSEMBLY

<u>APPR.</u>	<u>REV</u>	<u>DATE</u>	<u>BY</u>	<u>DESCRIPTION OF REVISION</u>
SWB	A	09/20/05	BWW	REMOVED PARTS LIST FROM DRAWING FOR PARTS FINDER PROJECT.