



McElroy Manufacturing, Inc.
The leader by design.
Tulsa, Oklahoma U.S.A.

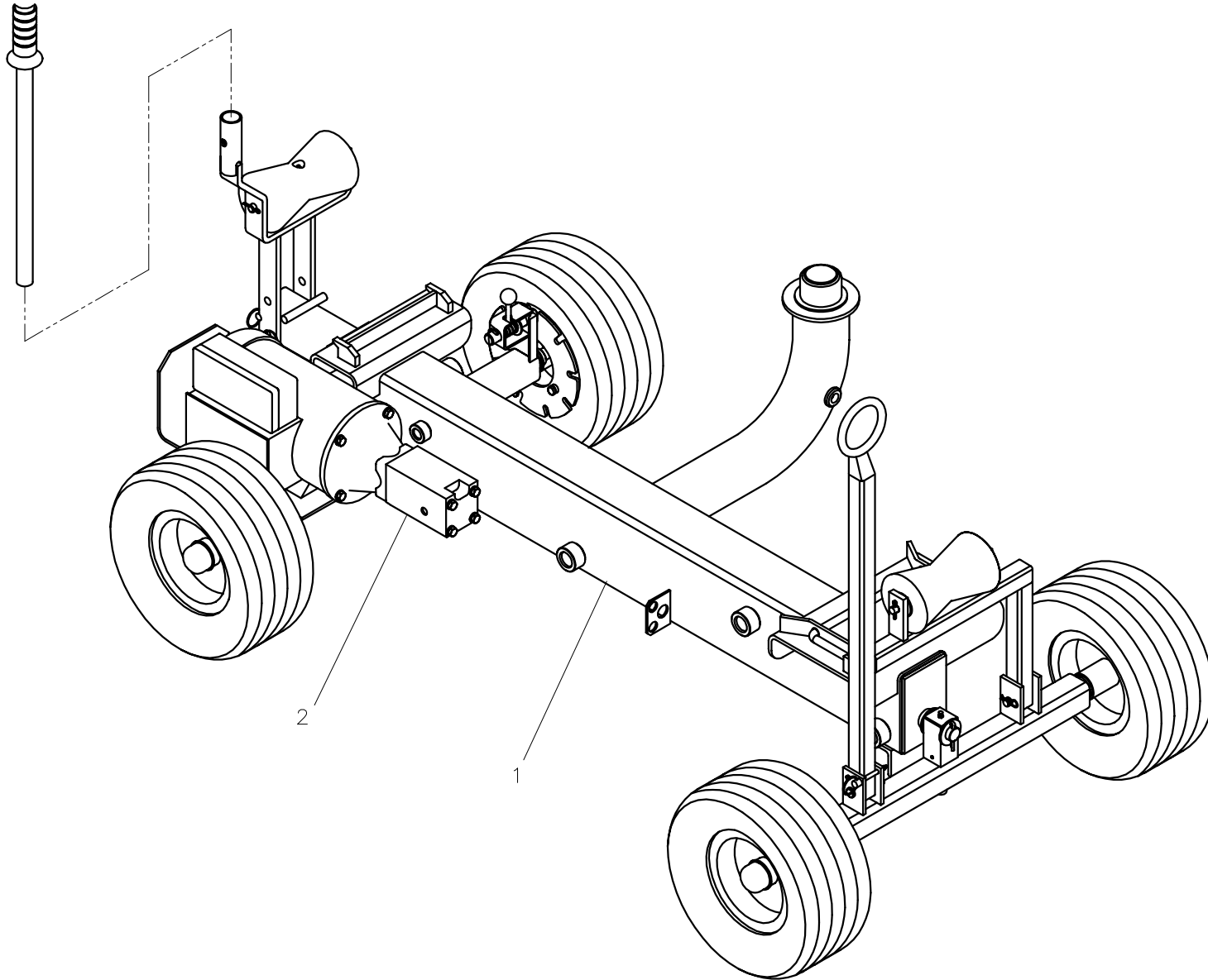
DRAWN: MLM CHECK: SWB APPRV'D: SWB DATE: 3/9/04 SHT No.: 2 REV No.: A PART No.: 860702

#28 220-240V, 50/60Hz, 1Ph ROLLING CHASSIS ASSEMBLY W/ EURO PLUG

NOTE: THIS DRAWING AND THE INFORMATION CONTAINED THEREIN IS THE CONFIDENTIAL AND PROPRIETARY PROPERTY OF McElroy Manufacturing, Inc. THE DRAWING IS NOT TO BE REPRODUCED IN ANY MANNER, SUBMITTED OUTSIDE PARTIES FOR EXAMINATION, OR USED DIRECTLY OR INDIRECTLY FOR THE PURPOSES OTHER THAN THOSE FOR WHICH IT WAS FURNISHED WITHOUT WRITTEN PERMISSION OF McElroy Manufacturing, Inc.

NOTES:

1. SEE DRAWING 860901 (ITEM 3) FOR HYDRAULIC SCHEMATIC LAYOUT AND COMPONENTS.
2. SEE DRAWING 861001 (ITEM 4) FOR PLUMBING SCHEMATIC LAYOUT AND COMPONENTS.



**#28 220-240V, 50/60Hz, 1Ph ROLLING CHASSIS ASSEMBLY
W/ EURO PLUG**

Parts List

ITEM	PART NO.	QTY.	DESCRIPTION
	860702		ASSEMBLY
1	861201	1	#28 ROLLING CHASSIS ASSEMBLY
2	839801	1	#28 ELECTRICAL BOX/MOTOR SUB-ASSEMBLY 220-240V, 50/60Hz, 1Ph W/ EURO PLUG
3	860901	1	#28 HYDRAULIC SCHEMATIC
4	861001	1	#28 PLUMBING SCHEMATIC

DRAWING REVISION HISTORY LISTING

PART NO: 860702

DESCRIPTION: #28 220-240V, 50/60Hz, 1Ph ROLLING CHASSIS ASSEMBLY w/ EURO PLUG

<u>APPR.</u>	<u>REV</u>	<u>DATE</u>	<u>BY</u>	<u>DESCRIPTION OF REVISION</u>
SWB	-	06/21/04	BWW	ADDED TO DESCRIPTION "W/ EURO PLUG" TO ELIMINATE CONFUSION. UPDATED DESCRIPTION OF ITEM 2 839801 TO INCLUDE "w/ EURO PLUG".
SWB	A	09/20/05	BWW	REMOVED PARTS LIST FROM DRAWING FOR PARTS FINDER PROJECT.