



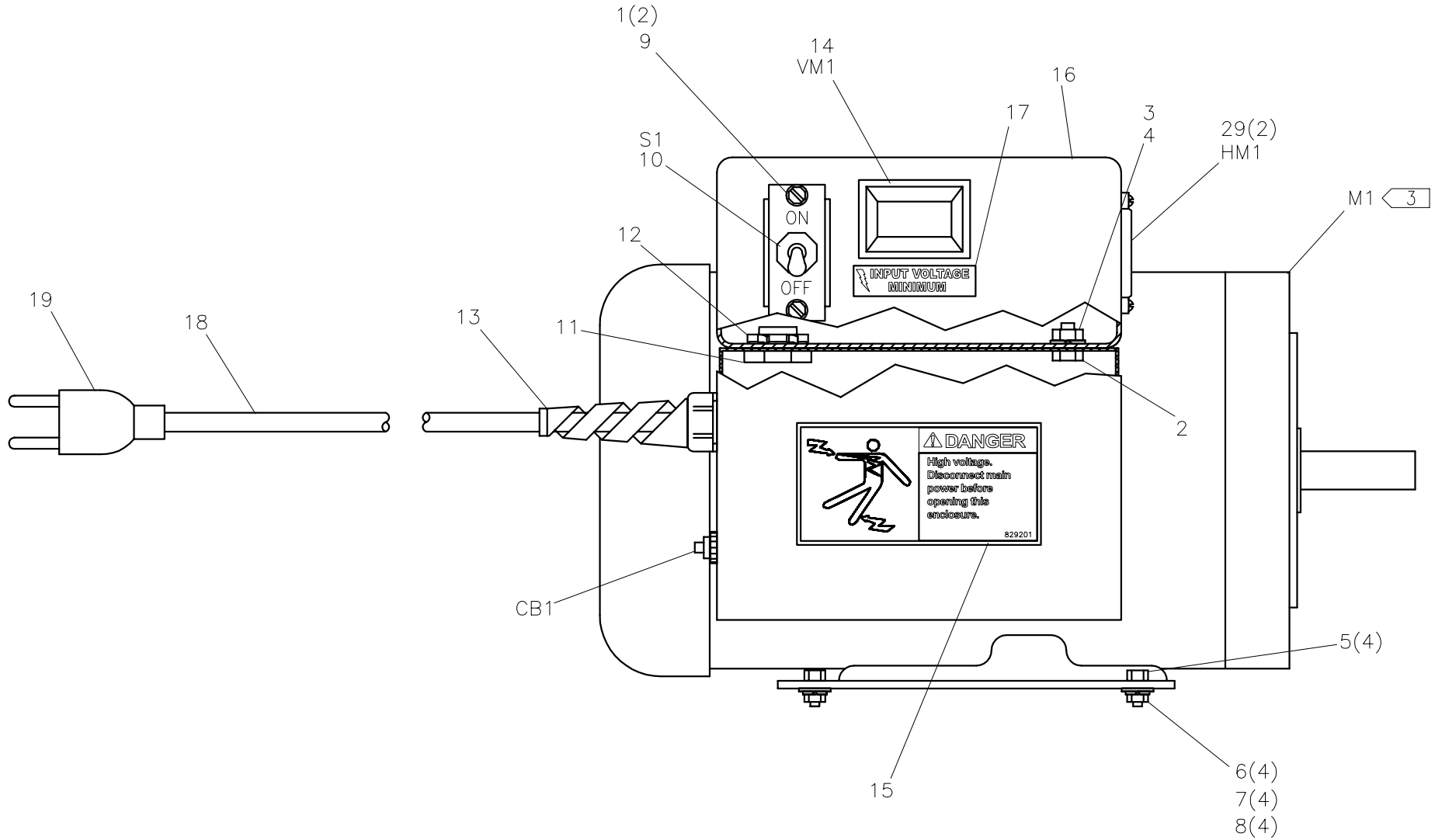
McElroy Manufacturing, Inc.
 The leader by design.
 Tulsa, Oklahoma U.S.A.

DRAWN: TLW	CHECK: SWB	APPR'VD: B	DATE: 2/20/96	DWG No: 839800	SHT No: 1A	REV No: E	PART No: 839801
#28 ELECTRICAL BOX/MOTOR SUB-ASSEMBLY 220-240V, 50/60Hz, 1Ph W/ EURO PLUG							CAD No: 839801

NOTE: THIS DRAWING AND THE INFORMATION CONTAINED THEREIN IS THE CONFIDENTIAL AND PROPRIETARY PROPERTY OF McElroy Manufacturing, Inc. THE DRAWING IS NOT TO BE REPRODUCED IN ANY MANNER, SUBMITTED OUTSIDE PARTIES FOR EXAMINATION, OR USED DIRECTLY OR INDIRECTLY FOR THE PURPOSES OTHER THAN THOSE FOR WHICH IT WAS FURNISHED WITHOUT WRITTEN PERMISSION OF McElroy Manufacturing, Inc.

NOTES:

1. ITEMS 20, 21, AND 22 ARE NOT SHOWN ON DRAWING.
2. INSULATE LEADS OF RV1 WITH INSULATION STRIPPED FROM WIRE USED IN ASSEMBLY.
3. CONNECT MOTOR FOR CLOCKWISE ROTATION.
4. ITEMS SHOWN IN PARENTHESIS REFLECT QUANTITIES IN A LOCAL GROUP AND MAY NOT INDICATE TOTAL ASSEMBLY QUANTITIES.

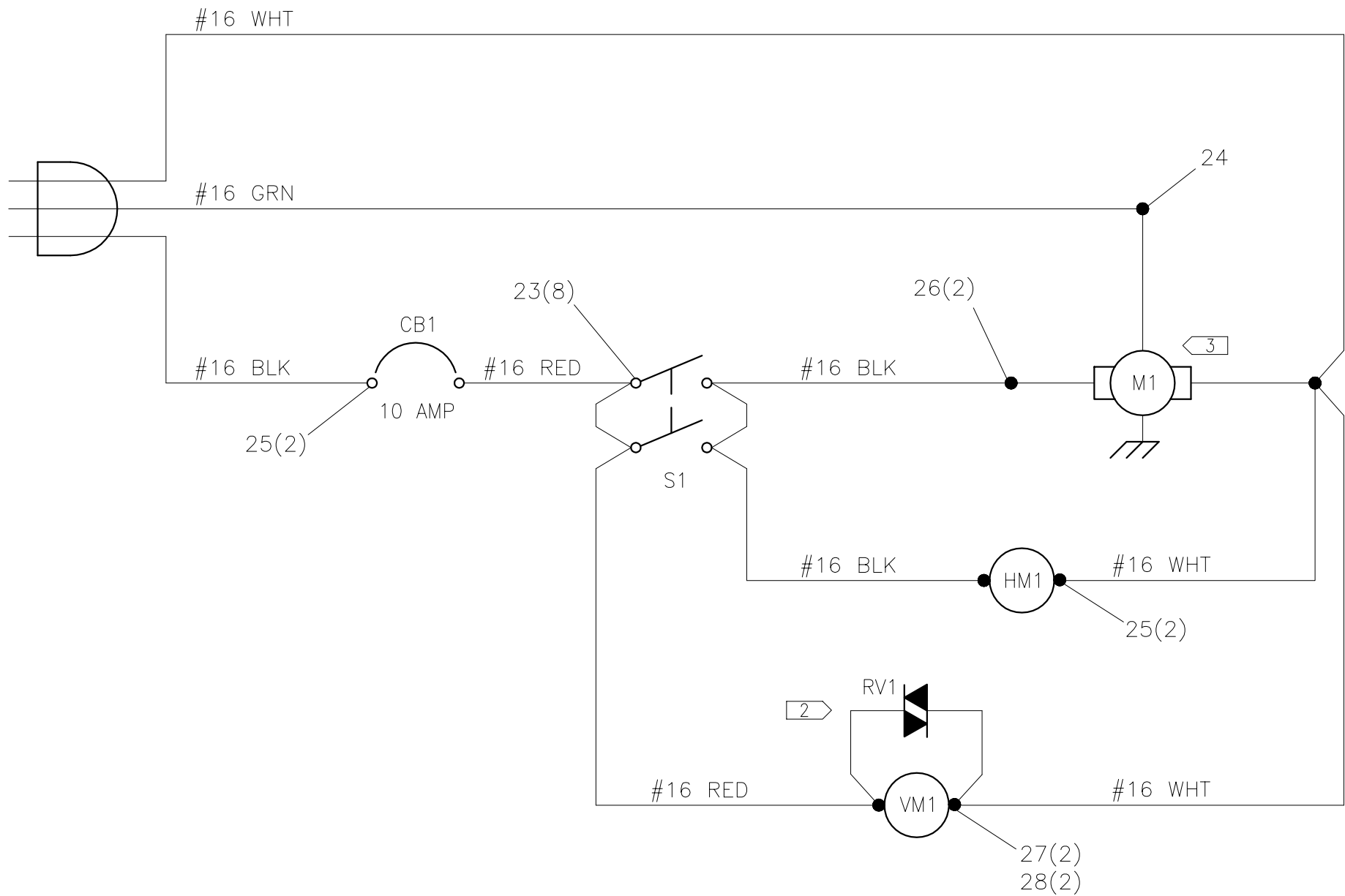




McElroy Manufacturing, Inc.
 The leader by design.
 Tulsa, Oklahoma U.S.A.

DRAWN: BA	CHECK: RAD	APPRV'D: B	DATE: 5/24/95	DWG No: 839800	SHT No: 1B	REV No: E	PART No: 839801
#28 ELECTRICAL BOX/MOTOR SUB-ASSEMBLY 220-240V, 50/60Hz, 1Ph W/ EURO PLUG						CAD No: 839801	

NOTE: THIS DRAWING AND THE INFORMATION CONTAINED THEREIN IS THE CONFIDENTIAL AND PROPRIETARY PROPERTY OF McElroy Manufacturing, Inc. THE DRAWING IS NOT TO BE REPRODUCED IN ANY MANNER, SUBMITTED OUTSIDE PARTIES FOR EXAMINATION, OR USED DIRECTLY OR INDIRECTLY FOR THE PURPOSES OTHER THAN THOSE FOR WHICH IT WAS FURNISHED WITHOUT WRITTEN PERMISSION OF McElroy Manufacturing, Inc.



**#28 ELECTRICAL BOX / MOTOR SUB-ASSEMBLY
220-240V, 50/60 Hz, 1 Ph W/ EURO PLUG**

PARTS LIST

ITEM	PART NO.	QTY	DESCRIPTION
	839801		ASSEMBLY
CB1	MLN00051	1	10 AMP CIRCUIT BREAKER
HM1	MKH00005	1	A/C MULTI-RANGE HOUR METER
M1	837802	1	220, 50 MOTOR MODIFICATION
S1	MKE00004	1	SWITCH
VM1	MKH00080	1	PANEL MOUNT DIGITAL VOLTMETER
RV1	MQH00031	1	275V, 23 JOULES MOV
1	MAH00036	2	#6-32 NC X 3/8 LG HWH TC SCREW
2	MAB00002	1	1/4-20 NC X 1/2 LG HHCS
3	MBA00005	1	1/4-20 NC FINISH HEX NUT
4	MBE00005	1	1/4 REGULAR SPLIT LOCK WASHER
5	MAB00033	4	5/16-18 NC X 1 LG HHCS
6	MBA00006	4	5/16-18 NC FINISH HEX NUT
7	MBE00006	4	5/16 REGULAR SPLIT LOCK WASHER
8	MBF00006	4	5/16 TYPE "A" WIDE FLAT WASHER
9	MLG00001	1	SWITCH GUARD
10	MLH00001	1	SWITCH BOOT
11	MLN00026	1	1/2" NPT CHASE NIPPLE
12	MLN00100	1	1/2" CONDUIT LOCKNUT
13	MLK00064	1	STRAIN RELIEF CONNECTOR
14	MLN00384	1	VOLTMETER BEZEL
15	829201	1	DANGER HIGH VOLTAGE LABEL
16	837902	1	ELECTRICAL BOX MODIFICATION
17	816325	1	198 MINIMUM INPUT VOLTAGE LABEL
18	MLE00034	25 FT	#16/3 ELEC CABLE
19	MLF00031	1	ELECTRICAL PLUG
20	MLL00014	2 FT	#16 MTW / TEW WIRE, BLACK
21	MLL00045	1 FT	#16 MTW / TEW WIRE, WHITE
22	MLL00049	1 FT	#16 MTW / TEW WIRE, RED
23	MLM00171	8	RING TERMINAL
24	MLM00010	1	CONNECTOR
25	MLM00017	4	1/4 FEMALE DISCONNECT
26	MLM00016	2	TWIST LOCK CONNECTOR
27	MLM00120	2	FORK TERMINAL
28	MLM00092	2	FORK TERMINAL
29	MAE00004	2	#4-40NC X 3/8 LG. BHSCS SS

DRAWING REVISION HISTORY LISTING

PART NO: 839801

DESCRIPTION: #28 ELECTRICAL BOX/MOTOR SUB-ASSEMBLY 220-240V, 50/60Hz, 1Ph w/ EURO PLUG

<u>APPR.</u>	<u>REV</u>	<u>DATE</u>	<u>BY</u>	<u>DESCRIPTION OF REVISION</u>
SWB	A	9/18/95	TLW	DXF from ORCAD to Autocad and added RV1 (MQH00031) QTY 1 Metal Oxide Varistor.
SWB	-----	1/8/97	AH	Joined 8398S01 and 8398S02 CAD files together and renamed to 839801.DWG. Incremented SHT 2 from NO REV to REV A in order to sync with SHT 1.
TLW	B	7/21/00	PB	Revised ITEM HM1 Hour Meter from MKH00037 to MKH00005 which is now a multi-range meter. Corrected QTY of ITEM 16 MLM00001 Ring Terminal from 5 to 4 and added WP20 location. Added ITEM 26 MLM00017 Quick Slide Connector at WP9 and 10. See PCR99037.
RAD	C	01/22/02	BEA	Updated drawings from ORCAD to current methods. Renamed drawings 839800 Sheets 1A and 1B instead of Sheets 1 and 2 to combine BOM.Deleted MLM00001, MLM00085 and MLM00119.Added MLM00010, MLM00092, MLM00120 and MLM00171. Changed QTY of MLM00017 from 2 to 4.
SWB-	06/21/04		BWW	ADDED TO DESCRIPTION "W/ EURO PLUG" TO ELIMINATE CONFUSION.
BEA	D	11/30/04	BWW	REVISED TO ADD ITEM 29 MAE00004 QTY 2 FOR HOUR METER ATTACHMENT.
SWB	E	11/11/05	BWW	MOVED NOTES TO FACE OF DRAWING AND ADDED NOTE 4 FOR CLARITY.