



McElroy Manufacturing, Inc.
The leader by design.
Tulsa, Oklahoma U.S.A.

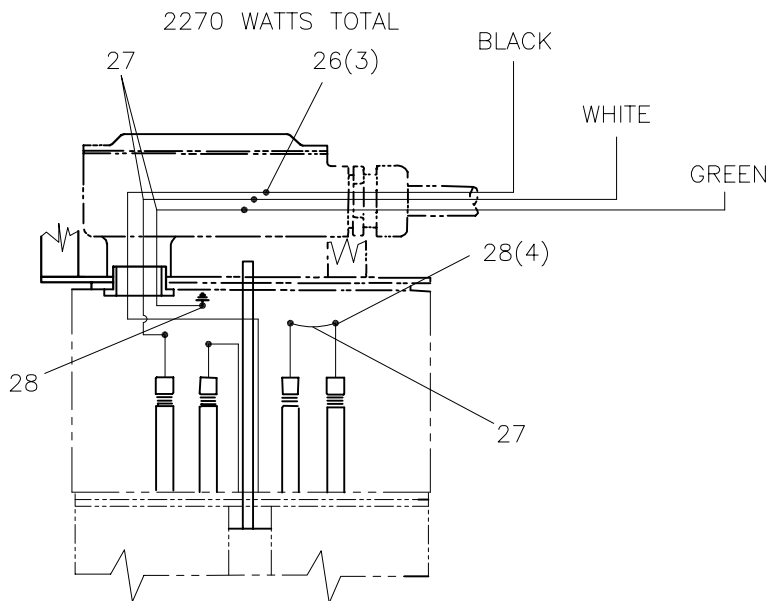
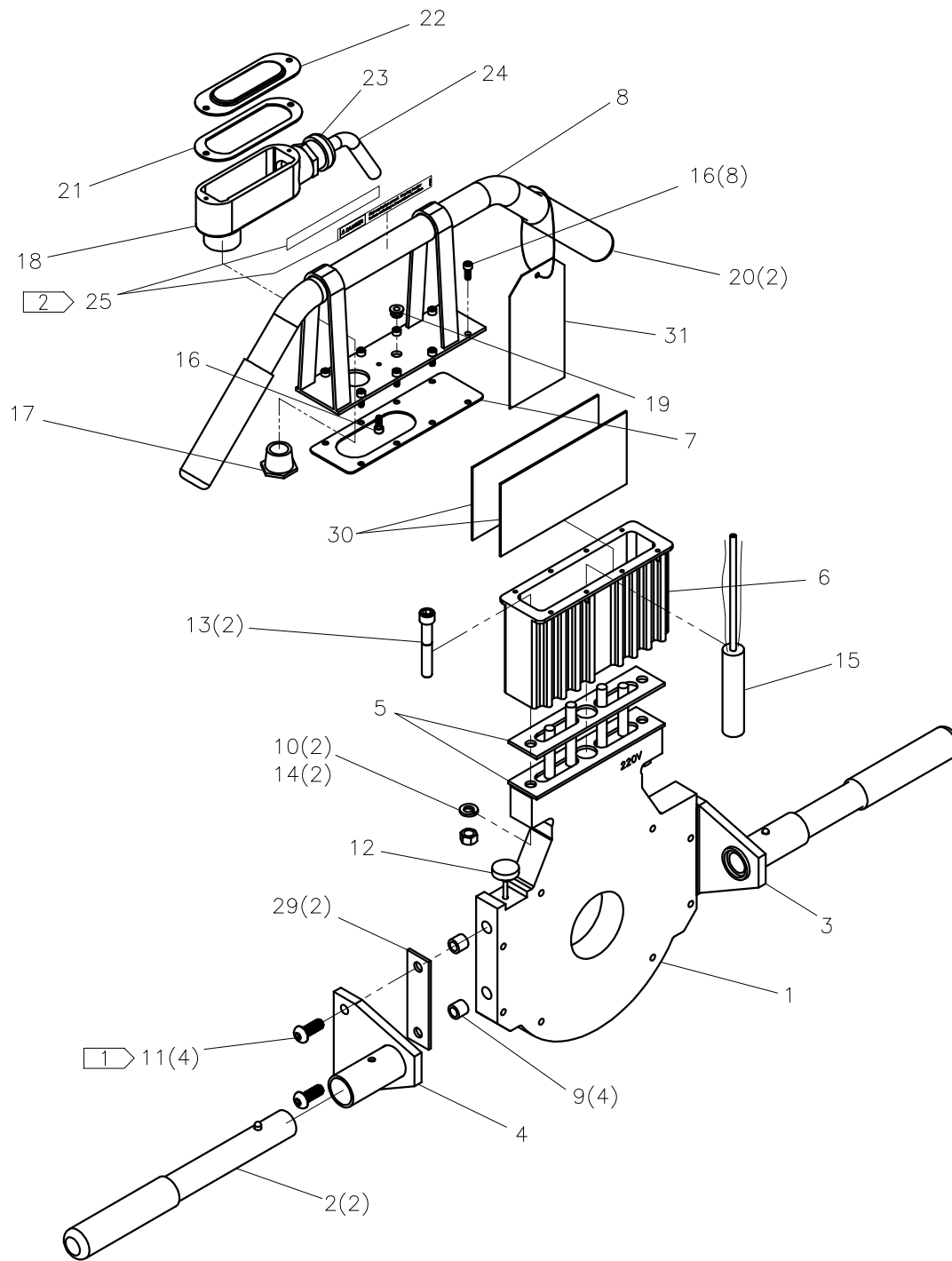
DRAWN: TLW	CHECK: BWP	APPR'D: B	DATE: 8/01/95	SHT No: 3	REV No: M	PART No: 826803
------------	------------	-----------	---------------	-----------	-----------	-----------------

#28 SIDEWALL HEATER ASSMSEMBLY 220-240V, 50/60Hz, 1Ph

NOTE: THIS DRAWING AND THE INFORMATION CONTAINED THEREIN IS THE CONFIDENTIAL AND PROPRIETARY PROPERTY OF McElroy Manufacturing, Inc. THE DRAWING IS NOT TO BE REPRODUCED IN ANY MANNER, SUBMITTED OUTSIDE PARTIES FOR EXAMINATION, OR USED DIRECTLY OR INDIRECTLY FOR THE PURPOSES OTHER THAN THOSE FOR WHICH IT WAS FURNISHED WITHOUT WRITTEN PERMISSION OF McElroy Manufacturing, Inc.

NOTES:

1. INSTALL WITH HIGH TEMP ANTI-SEIZE COMPOUND.
2. APPLY LABEL TO BOTH SIDES OF HANDLE. TRIM 1/4" FROM BOTH ENDS TO FIT.
3. SET AND CHECK TEMPERATURE PER ES390.
4. TOTAL WATT DENSITY = 9.2 watts/sq. in.
5. ITEMS SHOWN IN PARENTHESIS REFLECT QUANTITIES IN A LOCAL GROUP AND MAY NOT INDICATE TOTAL ASSEMBLY QUANTITIES.



**#28 SIDEWALL HEATER ASSEMBLY
220-240V, 50/60Hz, 1Ph**

PARTS LIST

ITEM	PART NO.	QTY	DESCRIPTION
	826803		Assembly
1	826907	1	8" Thermoswitch Sidewall Heater Body
2	827301	2	Sidewall Heater Lever Assembly
3	827101	1	Sidewall Heater Mounting Bracket Weldment
4	827102	1	Sidewall Heater Mounting Bracket Weldment
5	1207302	2	Heater Gasket
6	1810902	1	Heater Terminal Box
7	1808102	2	Heater Gasket
8	827201	1	Sidewall Heater Handle Bracket
9	MJM00003	4	Keensert
10	MBE00007	2	3/8" Lock Washer
11	MAH00070	4	3/8"-16 NC x 1" Lg. BHSCS SS
12	MJK00002	1	Thermometer
13	MAH00071	2	3/8"-16 NC x 2-1/2" Lg. SHCS SS
14	MBA00007	2	3/8"-16 NC Hex Nut
15	MLC00006	1	Thermoswitch
16	MAH00046	9	#10-24 NC x 1/2" Lg. SHCS SS
17	MLN00008	1	3/4" NPT Chase Nipple
18	MLK00004	1	3/4" Condulet
19	215601	1	MultiMc Heater Grommet
20	MJJ00002	2	1" Black Hand Grip
21	MLK00006	1	Gasket
22	MLK00005	1	Cover
23	MLK00003	1	3/4" Strain Relief Connector
24	MLE00031	1	14/3 Electrical Cable Assy x 20 Ft.
25	410903	2	Danger Not Explosion Proof Warning Label
26	MLM00010	3	Connector
27	MLL00020	24IN.	#14 AWG Type TAGT Wire
28	MLM00013	7	Connector
29	826904	2	8" Sidewall Heater Body Mounting Bracket Gasket
30	MJQ00125	2	1/16 x 3.3 x 6.63 Gasket
31	223901	1	Heater Tag

DRAWING REVISION HISTORY LISTING

PART NO: 826803

DESCRIPTION: #28 SIDEWALL HEATER ASSEMBLY 220-240V, 50/60Hz, 1Ph

<u>APPR.</u>	<u>REV</u>	<u>DATE</u>	<u>BY</u>	<u>DESCRIPTION OF REVISION</u>
B	E	08/01/95	TLW	Scanned & reduced to 'A' size format.
SWB	F	11/03/98	TLW	REMOVED ITEM #35 MLW00002 FIBERGLASS SLEEVING AND ADDED ITEM #37 223901 HEATER TAG.
TLW	G	9/9/99	MLM	CHANGED QTY. OF ITEM 10 (WASHER) FROM 6 TO 2, TO ALLOW CLEARANCE AT HANDLES TO TAILSTOCK.
MLM	H	11/09/01	KWB	REPLACED ITEMS #24 (MLE00003) & ITEM #36 (MLF00007) WITH MLE00031.
SWB	J	3/10/03	ALK	REVISED TO ADD SIDE VIEW FOR CLARITY.
SWB	K	04/08/04	BWW	REVISED TO ADD NEW NOTE 2 FOR TOTAL WATT DENSITY.
SWB	L	12/02/04	BWW	CORRECTED TO SWAP ITEMS 3 AND 4 ON DRAWING FACE. INCORRECTLY CALLED OUT.
SWB	M	03/15/05	BWW	CREATED EXPLODED ISOMETRIC VIEW ADDED NOTE 5 AND ITEM QUANTITIES FOR CLARITY.