

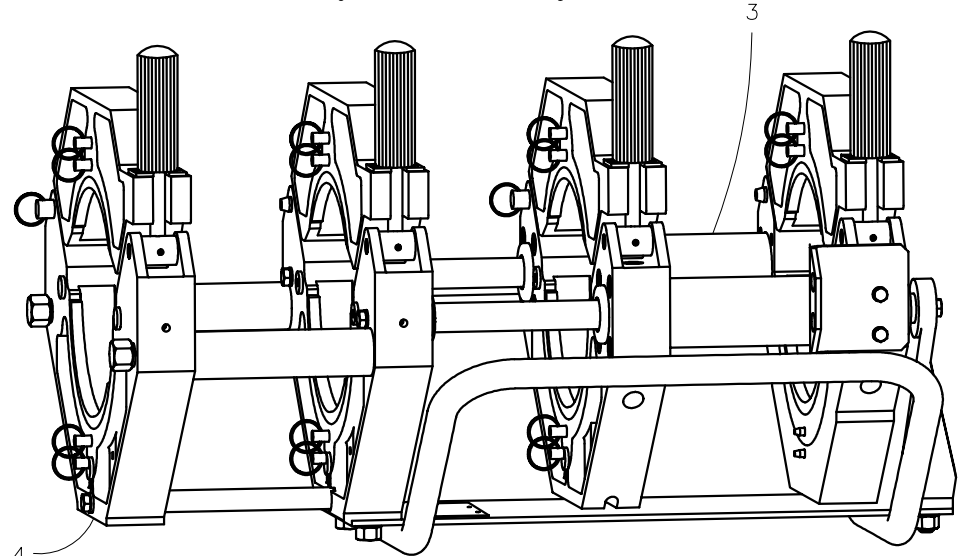
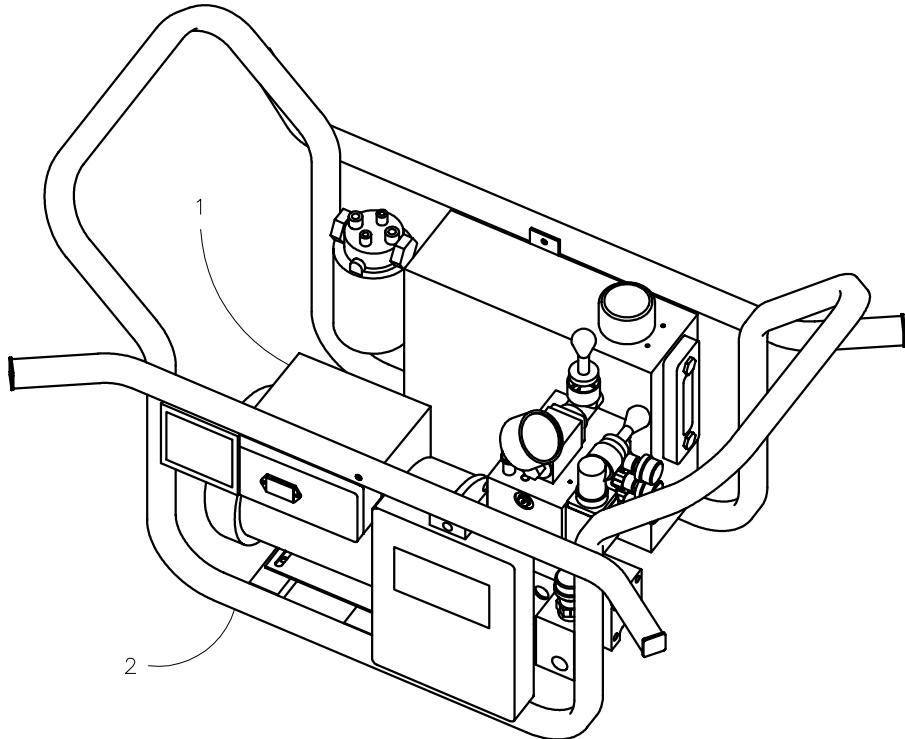
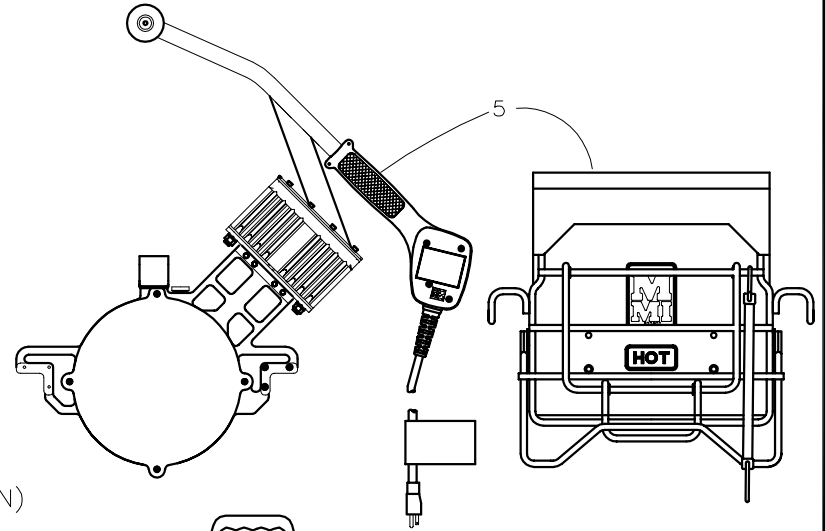


**McElroy Manufacturing, Inc.**  
 The leader by design.  
 Tulsa, Oklahoma U.S.A.

DRAWN: TLW	CHECK: SWB	APPRV'D: B	DATE: 2/12/97	DWG No:	SHT No:	REV No: B	PART No:
Mc28 Pit Bull DIPS FUSION MACHINE GROUPING FOR A850400 PACKAGES							CAD No: _ASY28PB

NOTE: THIS DRAWING AND THE INFORMATION CONTAINED THEREIN IS THE CONFIDENTIAL AND PROPRIETARY PROPERTY OF McElroy Manufacturing, Inc. THE DRAWING IS NOT TO BE REPRODUCED IN ANY MANNER, SUBMITTED OUTSIDE PARTIES FOR EXAMINATION, OR USED DIRECTLY OR INDIRECTLY FOR THE PURPOSES OTHER THAN THOSE FOR WHICH IT WAS FURNISHED WITHOUT WRITTEN PERMISSION OF McElroy Manufacturing, Inc.

- 1 - 839702 #28 ELEC. BOX/MOTOR SUB-ASSY. 100V, 50/60Hz, 1Ph
- 1 - 839801 #28 ELEC. BOX/MOTOR SUB-ASSY. 220-240V, 50/60Hz, 1Ph
- 1 - 840401 #28 ELEC. BOX/MOTOR SUB-ASSY. 200V, 50/60Hz, 1Ph
- 1 - 841401 #28 ELEC. BOX/MOTOR SUB-ASSY. 208-240V, 60Hz, 1Ph
- 1 - 846901 #28 ELEC. BOX/MOTOR SUB-ASSY. 120V, 60Hz, 1Ph
- 2 - 847301 Mc28 Pit Bull POWER UNIT SUB-ASSEMBLY
- 3 - 842102 Mc28 Pit Bull HIGH FORCE CYLINDER ASSEMBLY SET (STD)
- 3 - 842901 Mc28 Pit Bull LOW FORCE CYLINDER ASSEMBLY SET (XHV)
- 4 - 850501 Mc28 Pit Bull DIPS CARRIAGE SUB-ASSEMBLY
- 5 - 848709 #28 DIPS HEATER ASSEMBLY 100-120V, 50/60Hz, 1Ph
- 5 - 848803 #28 DIPS HEATER ASSEMBLY 220-240V, 50/60Hz, 1Ph
- 6 - 842501 Mc28 Pit Bull FACER ASSEMBLY W/STAND
- 7 - 842402 Mc28 Pit Bull CARRIAGE HYDRAULIC/PLUMBING SCHEMATIC(NOT SHOWN)
- 8 - 842403 Mc28 Pit Bull FACER HYDRAULIC/PLUMBING SCHEMATIC(NOT SHOWN)
- 9 - 842401 Mc28 Pit Bull POWER UNIT HYDRAULIC/PLUMBING SCHEMATIC(NOT SHOWN)



## DRAWING REVISION HISTORY LISTING

**PART NO:** \_ASY28PB

**DESCRIPTION:** Mc28 Pit Bull DIPS FUSION MACHINE GROUPING FOR A850400 PACKAGES

<u>APPR.</u>	<u>REV</u>	<u>DATE</u>	<u>BY</u>	<u>DESCRIPTION OF REVISION</u>
SWB	A	05/17/99	TLW	REVISED TO STANDARD FORMAT WITH ITEM NUMBERS AND IN LIST ORDER.
TMT	B	05/14/02	BWW	REVISED TO REPLACE 848701 WITH 848709 AND 848801 WITH 848803 TO SHOW NEW HEATER ASSEMBLIES WITH ELECTRONIC CONTROL.