



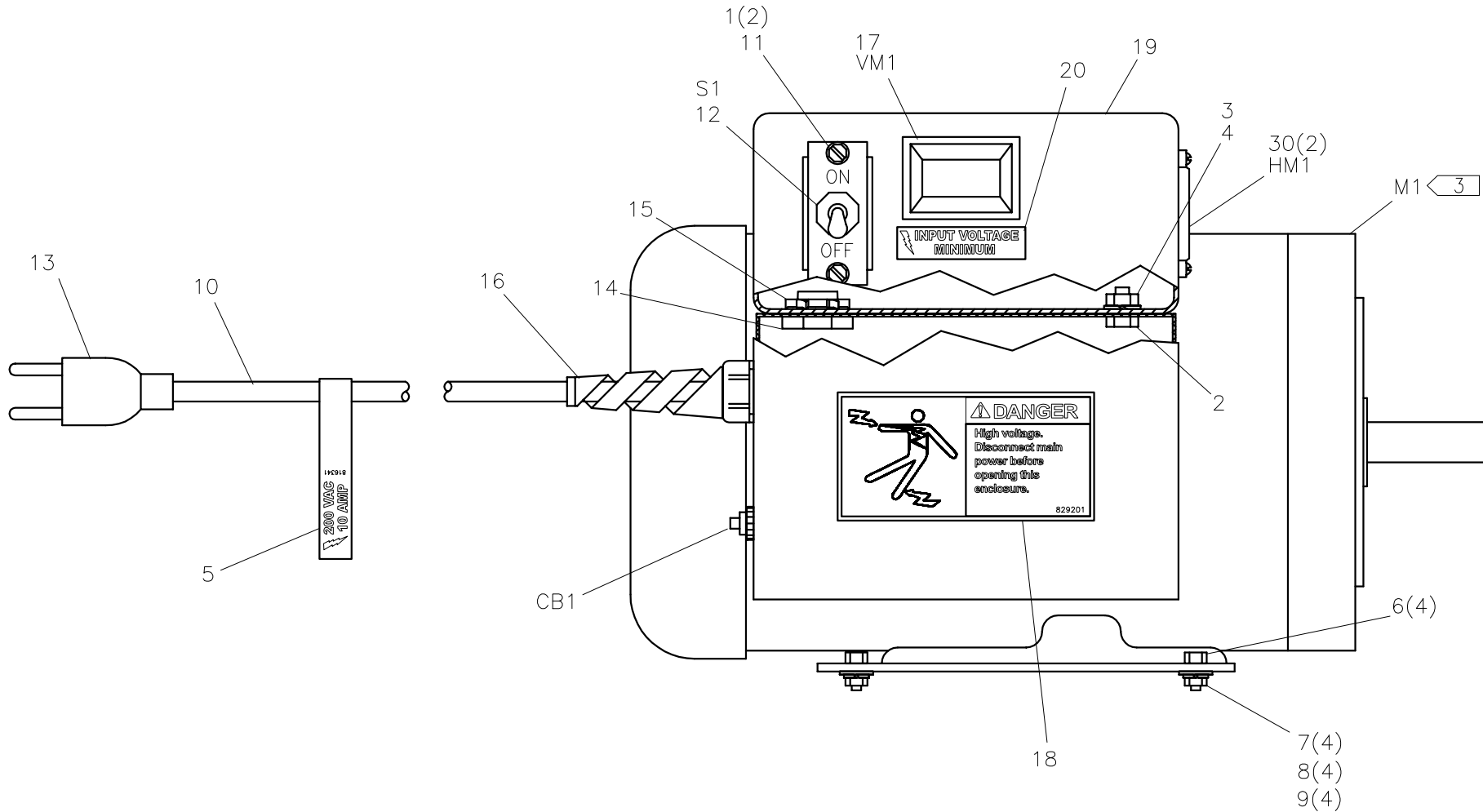
McElroy Manufacturing, Inc.
 The leader by design.
 Tulsa, Oklahoma U.S.A.

DRAWN: AH	CHECK: SWB	APPR'VD: B	DATE: 11/11/96	DWG No: 840400	SHT No: 1A	REV No: E	PART No: 840401
#28 ELECTRICAL BOX/MOTOR SUB-ASSEMBLY 200V, 50/60Hz, 1Ph W/ EURO PLUG							CAD No: 840401

NOTE: THIS DRAWING AND THE INFORMATION CONTAINED THEREIN IS THE CONFIDENTIAL AND PROPRIETARY PROPERTY OF McElroy Manufacturing, Inc. THE DRAWING IS NOT TO BE REPRODUCED IN ANY MANNER, SUBMITTED OUTSIDE PARTIES FOR EXAMINATION, OR USED DIRECTLY OR INDIRECTLY FOR THE PURPOSES OTHER THAN THOSE FOR WHICH IT WAS FURNISHED WITHOUT WRITTEN PERMISSION OF McElroy Manufacturing, Inc.

NOTES:

1. ITEMS 21, 22 AND 23 ARE NOT SHOWN ON DRAWING.
2. INSULATE LEADS OF RV1 WITH INSULATION STRIPPED FROM WIRE USED IN ASSEMBLY.
3. CONNECT MOTOR WIRING FOR CLOCKWISE ROTATION.
4. ITEMS SHOWN IN PARENTHESIS REFLECT QUANTITIES IN A LOCAL GROUP AND MAY NOT INDICATE TOTAL ASSEMBLY QUANTITIES.

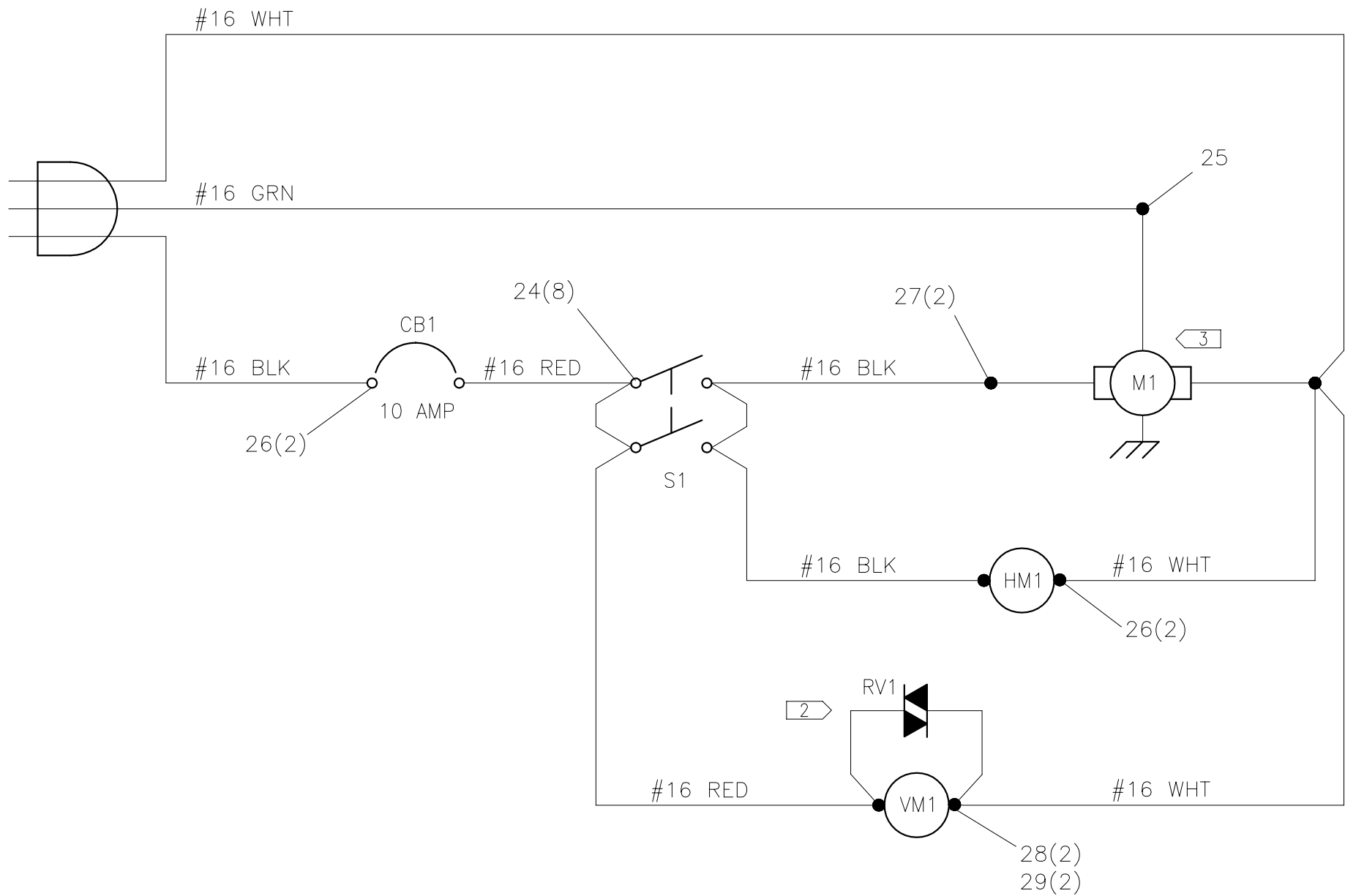




McElroy Manufacturing, Inc.
 The leader by design.
 Tulsa, Oklahoma U.S.A.

DRAWN: AH	CHECK: SWB	APPRV'D: B	DATE: 11/11/96	DWG No: 840400	SHT No: 1B	REV No: E	PART No: 840401
#28 ELECTRICAL BOX/MOTOR SUB-ASSEMBLY 200V, 50/60Hz, 1Ph W/ EURO PLUG						CAD No: 840401	

NOTE: THIS DRAWING AND THE INFORMATION CONTAINED THEREIN IS THE CONFIDENTIAL AND PROPRIETARY PROPERTY OF McElroy Manufacturing, Inc. THE DRAWING IS NOT TO BE REPRODUCED IN ANY MANNER, SUBMITTED OUTSIDE PARTIES FOR EXAMINATION, OR USED DIRECTLY OR INDIRECTLY FOR THE PURPOSES OTHER THAN THOSE FOR WHICH IT WAS FURNISHED WITHOUT WRITTEN PERMISSION OF McElroy Manufacturing, Inc.



**#28 ELECTRICAL BOX / MOTOR SUB-ASSEMBLY
200V, 50/60 Hz, 1 Ph W/ EURO PLUG**

PARTS LIST

ITEM	PART NO.	QTY	DESCRIPTION
	840401		ASSEMBLY
CB1	MLN00051	1	10 AMP CIRCUIT BREAKER
HM1	MKH00005	1	A/C MULTI-RANGE HOUR METER
M1	837805	1	200, 50/60 MOTOR MODIFICATION
S1	MKE00004	1	SWITCH
VM1	MKH00080	1	PANEL MOUNT DIGITAL AC VOLTMETER
RV1	MQH00031	1	275V, 23 JOULES MOV
1	MAH00036	2	#6-32 NC X 3/8 LG HWH TC SCREW
2	MAB00002	1	1/4-20 NC X 1/2 LG HHCS
3	MBA00005	1	1/4-20 NC FINISH HEX NUT
4	MBE00005	1	1/4 REGULAR SPLIT LOCK WASHER
5	816341	1	200V, 10A LABEL
6	MAB00033	4	5/16-18 NC X 1 LG HHCS
7	MBA00006	4	5/16-18 NC FINISH HEX NUT
8	MBE00006	4	5/16 REGULAR SPLIT LOCK WASHER
9	MBF00006	4	5/16 TYPE "A" WIDE FLAT WASHER
10	MLE00034	25 FT	#16/3 ELEC CABLE
11	MLG00001	1	SWITCH GUARD
12	MLH00001	1	SWITCH BOOT
13	MLF00031	1	ELECTRICAL PLUG
14	MLN00026	1	1/2" NPT CHASE NIPPLE
15	MLN00100	1	1/2" CONDUIT LOCKNUT
16	MLK00064	1	STRAIN RELIEF CONNECTOR
17	MLN00384	1	VOLTMETER BEZEL
18	829201	1	DANGER HIGH VOLTAGE LABEL
19	837902	1	ELECTRICAL BOX MODIFICATION
20	816340	1	180 MIN INPUT VOLTAGE LABEL
21	MLL00014	2 FT	#16 MTW / TEW WIRE, BLACK
22	MLL00045	1 FT	#16 MTW / TEW WIRE, WHITE
23	MLL00049	1 FT	#16 MTW / TEW WIRE, RED
24	MLM00171	8	RING TERMINAL
25	MLM00010	1	CONNECTOR
26	MLM00017	4	1/4 FEMALE DISCONNECT
27	MLM00016	2	TWIST LOCK CONNECTOR
28	MLM00120	2	FORK TERMINAL
29	MLM00092	2	FORK TERMINAL
30	MAE00004	2	#4-40NC X 3/8 LG. BHSCS SS

DRAWING REVISION HISTORY LISTING

PART NO: 840401

DESCRIPTION: #28 ELECTRICAL BOX/MOTOR SUB-ASSEMBLY 200V, 50/60Hz, 1Ph w/ EUO PLUG

<u>APPR.</u>	<u>REV</u>	<u>DATE</u>	<u>BY</u>	<u>DESCRIPTION OF REVISION</u>
SWB	A	01/08/97	AH	Joined 8404S01 and 8404S02 CAD files together and renamed to 840401.DWG.
TLW	B	07/21/00	BWW	Revised ITEM HM1 Hour Meter from MLN00089 to MKH00005 which is now a multi-range meter. Corrected QTY of ITEM 16 MLM00001 Ring Terminal from 5 to 4 and added WP20 location. Added ITEM 27, MLM00017, Quick Slide Connectors at WP9 and 10. See PCR 99037.
RAD	C	01/22/02	BEA	Updated drawings from ORCAD to current methods. Renamed drawings 840400 Sheets 1A and 1B instead of Sheets 1 and 2 to combine BOM. Deleted MLM00001, MLM00085 and MLM00119. Added MLM00010, MLM00092, MLM00120 and MLM00171. Changed QTY of MLM00017 from 2 to 4.
SWB	-	06/21/04	BWW	ADDED TO DESCRIPTION "W/ EURO PLUG" TO ELIMINATE CONFUSION.
BEA	D	12/01/04	BWW	REVISED TO ADD ITEM 30 MAE00004 QTY 2 FOR HOUR METER ATTACHMENT.
SWB	E	11/11/05	BWW	MOVED NOTES TO FACE OF DRAWING AND ADDED NOTE 4 FOR CLARITY.