



McElroy Manufacturing, Inc.
The leader by design.
Tulsa, Oklahoma U.S.A.

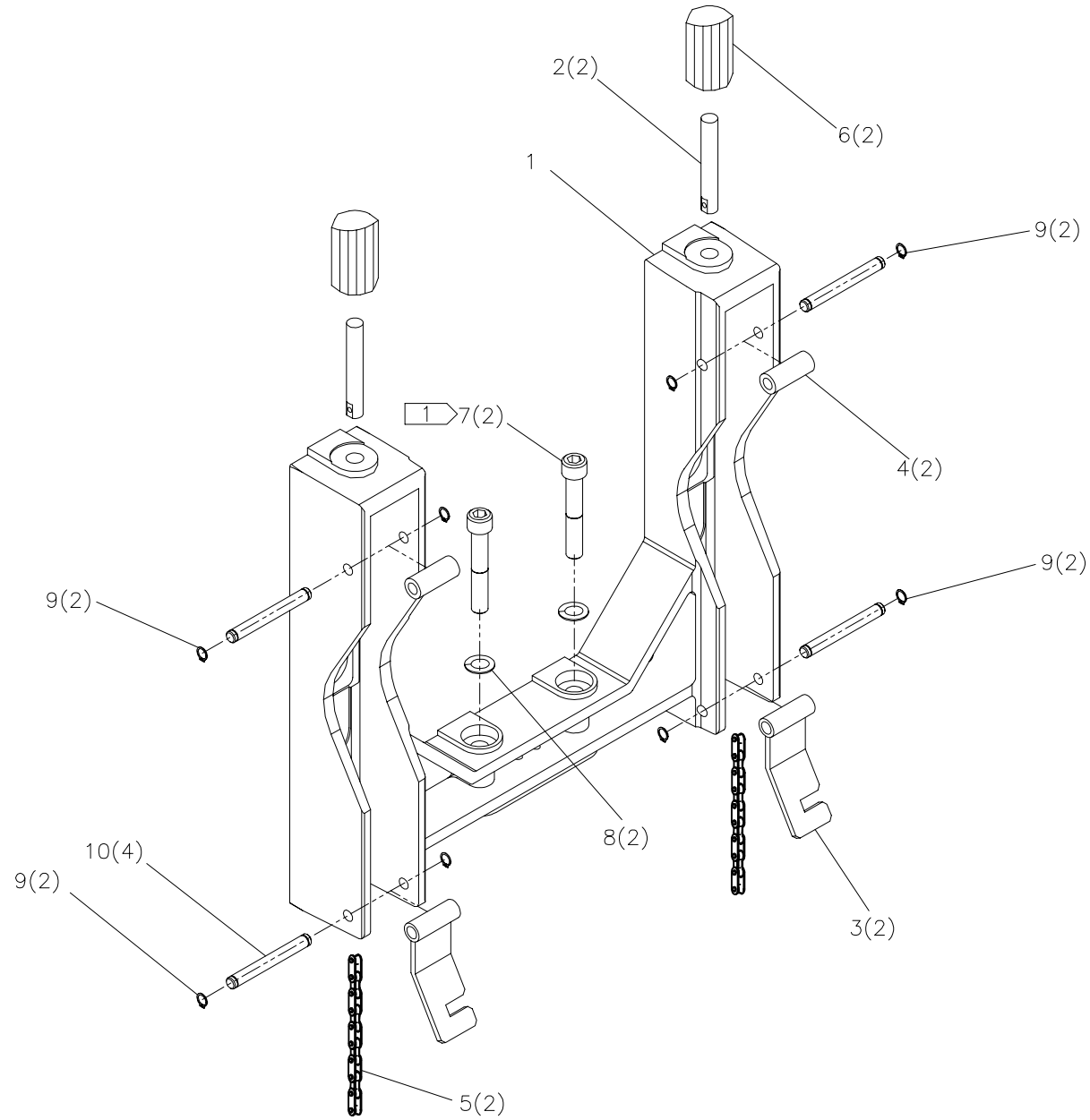
DRAWN: AH	CHECK: SWB	APPRV'D: B	DATE: 1/24/97	SHT No: 1	REV No: C	PART No: 850201
-----------	------------	------------	---------------	-----------	-----------	-----------------

#28 SIDEWALL CLAMP ASSEMBLY

NOTE: THIS DRAWING AND THE INFORMATION CONTAINED THEREIN IS THE CONFIDENTIAL AND PROPRIETARY PROPERTY OF McElroy Manufacturing, Inc. THE DRAWING IS NOT TO BE REPRODUCED IN ANY MANNER, SUBMITTED OUTSIDE PARTIES FOR EXAMINATION, OR USED DIRECTLY OR INDIRECTLY FOR THE PURPOSES OTHER THAN THOSE FOR WHICH IT WAS FURNISHED WITHOUT WRITTEN PERMISSION OF McElroy Manufacturing, Inc.

NOTES:

1. INSTALL WITH HIGH TEMP ANTI-SEIZE.
2. ITEMS SHOWN IN PARENTHESIS REFLECT QUANTITIES IN A LOCAL GROUP AND MAY NOT INDICATE TOTAL ASSEMBLY QUANTITIES.



#28 SIDEWALL CLAMP ASSEMBLY

PARTS LIST

ITEM	PART NO.	QTY	DESCRIPTION
	850201		ASSEMBLY
1	800710	1	SIDEWALL CLAMP
2	808001	2	ADJUSTING SCREW
3	401701	2	CHAIN HOOK
4	402101	2	GUIDE
5	A213601	2	TAILSTOCK CHAIN
6	A829001	2	SHORT CLAMP KNOB ASSEMBLY
7	MAN00003	2	1/2-13 NC X 3" LG. SHCS SS
8	MBE00009	2	1/2" REGUALR SPLIT LOCK WASHER
9	MCB00049	8	EXT SNAP RING SS
10	CTS03601	4	PIN

DRAWING REVISION HISTORY LISTING

PART NO: 850201
DESCRIPTION: #28 SIDEWALL CLAMP ASSEMBLY

<u>APPR.</u>	<u>REV</u>	<u>DATE</u>	<u>BY</u>	<u>DESCRIPTION OF REVISION</u>
SWB	-----	1/24/97	AH	MOVED SIDEWALL CLAMP COMPONENTS FROM OLD #28 COMBINATION CARRIAGE ASSY. # 840001 TO MAKE SEPERATE ASSY. DRAWING. REMOVED NOTE FOR ANTI-SEIZE LUBRICANT USED ON JAW MOUNTING BOLTS, SINCE THEY HAD BEEN CHANGED TO STAINLESS STEEL.
SWB	A	8/07/97	BB	REPLACED ITEM #8 PART NO. MBE00021 TO PART NO. MBE00009. INTERNAL TOOTH LOCK WASHERS WERE BREAKING WHEN BOLTS WERE TIGHTENED AGAINST CAST TAILSTOCK.
SWB	-	11/4/97	RLE	REVISED ITEM 9 FROM MCB00017, EXT SNAP RING , TO MCB00049, EXT SNAP RING SS.
SWB	B	05/24/04	BWW	ADDED NOTE 1 TO USE HIGH TEMP ANTI-SEIZE UPON ASSEMBLY OF ITEM 7 TO BE CONSISTENT WITH OTHER MOUNTING BOLTS.
SWB	C	03/14/05	BWW	REVISED TO ADD NOTE 2 AND QUANTITIES OF ITEM NUMBERS TO DRAWING FOR CLARITY.