



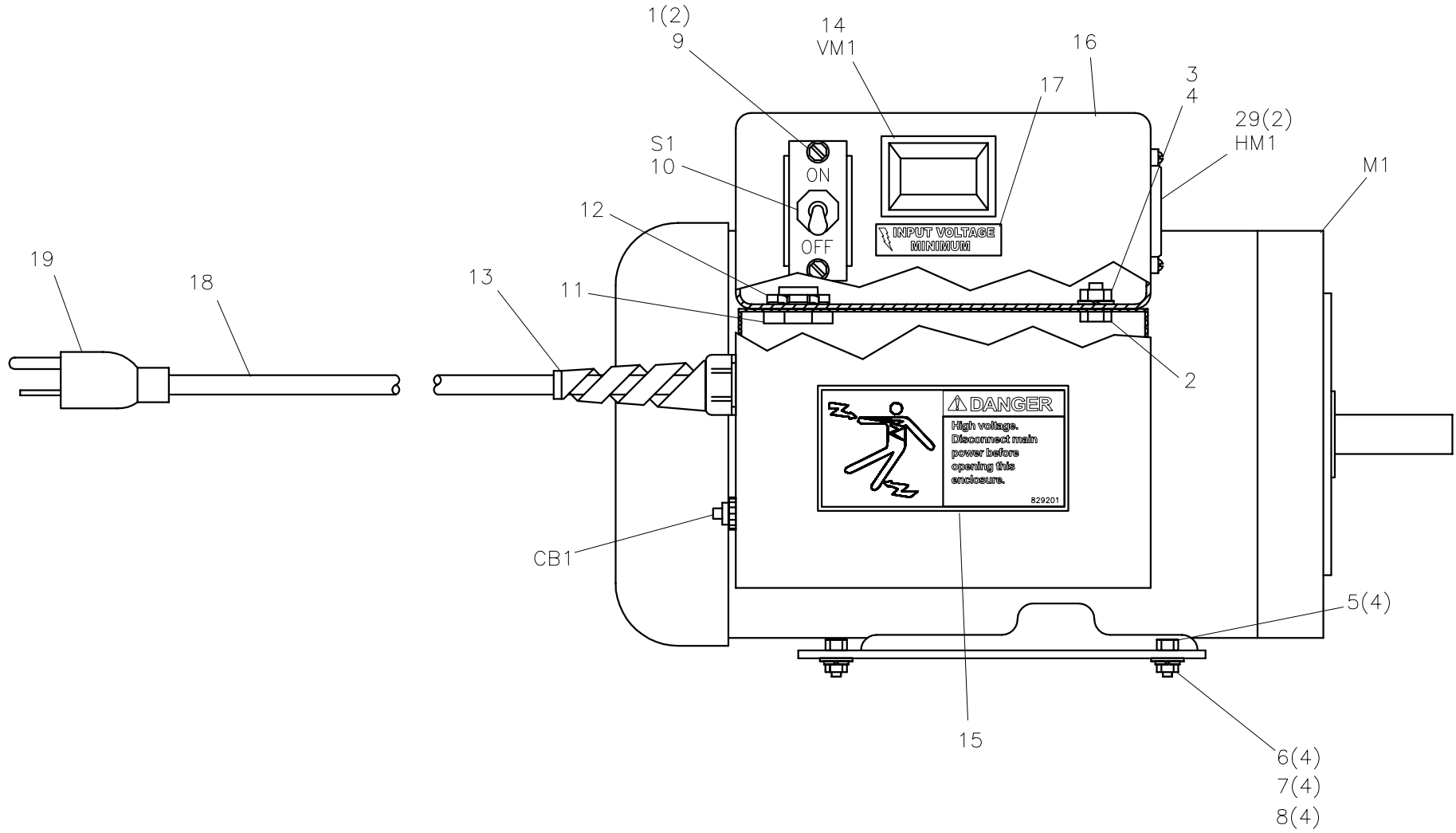
**McElroy Manufacturing, Inc.**  
 The leader by design.  
 Tulsa, Oklahoma U.S.A.

DRAWN: BA	CHECK: RAD	APPR'VD: B	DATE: 02/22/95	DWG No: 841400	SHT No: 1A	REV No: E	PART No: 841401
#28 ELECTRICAL BOX/MOTOR SUB-ASSEMBLY 208-240V, 60Hz, 1Ph							CAD No: 841401

NOTE: THIS DRAWING AND THE INFORMATION CONTAINED THEREIN IS THE CONFIDENTIAL AND PROPRIETARY PROPERTY OF McElroy Manufacturing, Inc. THE DRAWING IS NOT TO BE REPRODUCED IN ANY MANNER, SUBMITTED OUTSIDE PARTIES FOR EXAMINATION, OR USED DIRECTLY OR INDIRECTLY FOR THE PURPOSES OTHER THAN THOSE FOR WHICH IT WAS FURNISHED WITHOUT WRITTEN PERMISSION OF McElroy Manufacturing, Inc.

**NOTES:**

1. ITEMS 20, 21 AND 22 ARE NOT SHOWN ON DRAWING.
2. INSULATE LEADS OF RV1 WITH INSULATION STRIPPED FROM WIRE USED IN ASSEMBLY.
3. CONNECT MOTOR WIRING FOR CLOCKWISE ROTATION.
4. ITEMS SHOWN IN PARENTHESIS REFLECT QUANTITIES IN A LOCAL GROUP AND MAY NOT INDICATE TOTAL ASSEMBLY QUANTITIES.

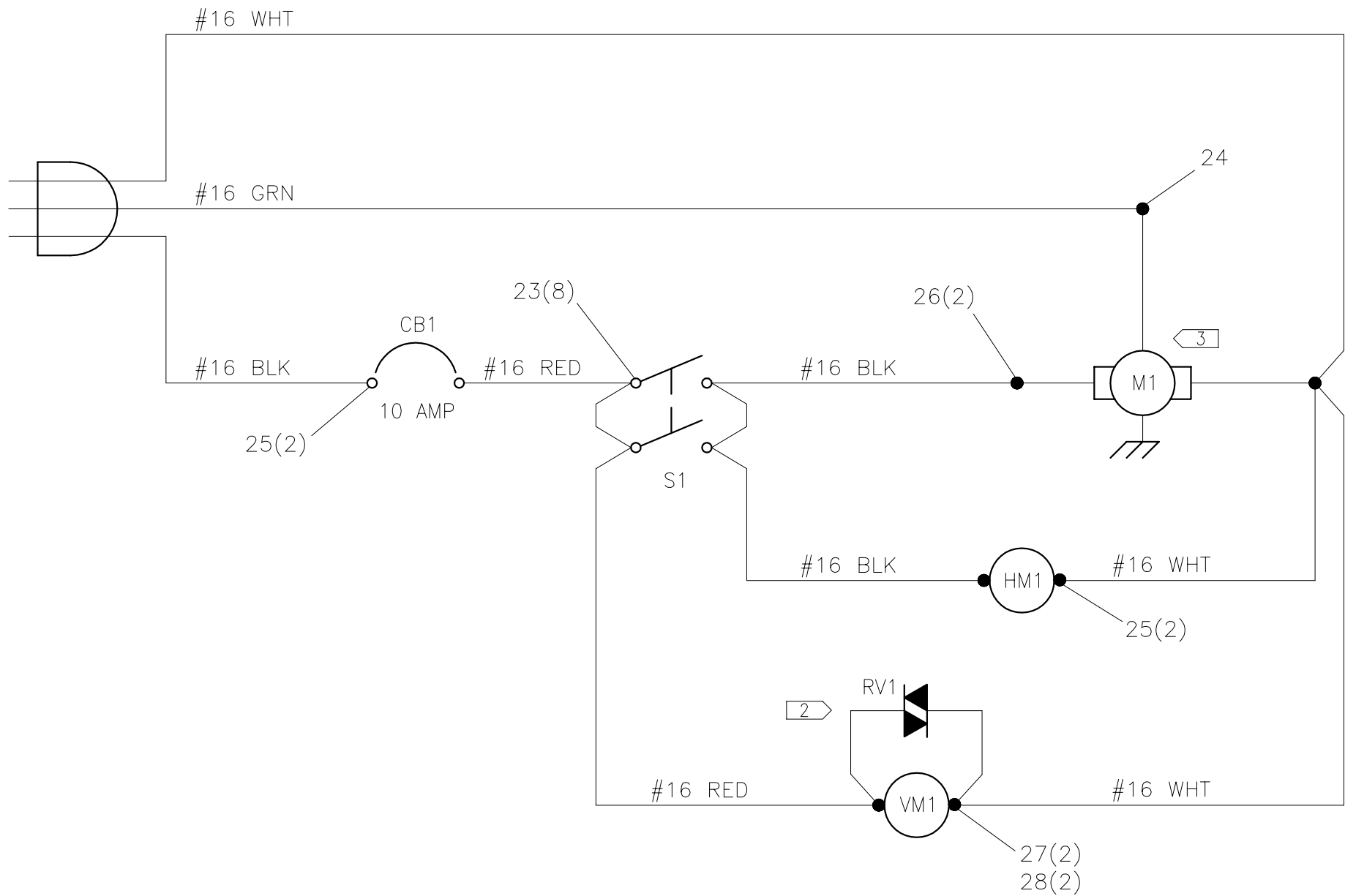




McElroy Manufacturing, Inc.  
The leader by design.  
Tulsa, Oklahoma U.S.A.

DRAWN: TLW	CHECK: SWB	APPRV'D: B	DATE: 02/20/96	DWG No: 841400	SHT No: 1B	REV No: E	PART No: 841401
#28 ELECTRICAL BOX/MOTOR SUB-ASSEMBLY 208-240V, 60Hz, 1Ph							CAD No: 841401

NOTE: THIS DRAWING AND THE INFORMATION CONTAINED THEREIN IS THE CONFIDENTIAL AND PROPRIETARY PROPERTY OF McElroy Manufacturing, Inc. THE DRAWING IS NOT TO BE REPRODUCED IN ANY MANNER, SUBMITTED OUTSIDE PARTIES FOR EXAMINATION, OR USED DIRECTLY OR INDIRECTLY FOR THE PURPOSES OTHER THAN THOSE FOR WHICH IT WAS FURNISHED WITHOUT WRITTEN PERMISSION OF McElroy Manufacturing, Inc.



**#28 ELECTRICAL BOX / MOTOR SUB-ASSEMBLY  
208-240V, 60 Hz, 1 Ph**

PARTS LIST

ITEM	PART NO.	QTY	DESCRIPTION
	<b>841401</b>		<b>ASSEMBLY</b>
CB1	MLN00051	1	10 AMP CIRCUIT BREAKER
HM1	MKH00005	1	A/C MULTI-RANGE HOUR METER
M1	837801	1	208-240, 60 MOTOR MODIFICATION
S1	MKE00004	1	SWITCH
VM1	MKH00080	1	PANEL MOUNT DIGITAL VOLTMETER
RV1	MQH00031	1	275V, 23 JOULES MOV
1	MAH00036	2	#6-32 NC X 3/8 LG HWH TC SCREW
2	MAB00002	1	1/4-20 NC X 1/2 LG HHCS
3	MBA00005	1	1/4-20 NC FINISH HEX NUT
4	MBE00005	1	1/4 REGULAR SPLIT LOCK WASHER
5	MAB00033	4	5/16-18 NC X 1 LG HHCS
6	MBA00006	4	5/16-18 NC FINISH HEX NUT
7	MBE00006	4	5/16 REGULAR SPLIT LOCK WASHER
8	MBF00006	4	5/16 TYPE "A" WIDE FLAT WASHER
9	MLG00001	1	SWITCH GUARD
10	MLH00001	1	SWITCH BOOT
11	MLN00026	1	1/2" NPT CHASE NIPPLE
12	MLN00100	1	1/2" CONDUIT LOCKNUT
13	MLK00064	1	STRAIN RELIEF CONNECTOR
14	MLN00384	1	VOLTMETER BEZEL
15	829201	1	DANGER HIGH VOLTAGE LABEL
16	837902	1	ELECTRICAL BOX MODIFICATION
17	816326	1	207 MINIMUM INPUT VOLTAGE LABEL
18	MLE00034	25 FT	#16/3 ELEC CABLE
19	MLF00007	1	ELEC PLUG
20	MLL00014	2 FT	#16 MTW / TEW WIRE, BLACK
21	MLL00045	1 FT	#16 MTW / TEW WIRE, WHITE
22	MLL00049	1 FT	#16 MTW / TEW WIRE, RED
23	MLM00171	8	RING TERMINAL
24	MLM00010	1	CONNECTOR
25	MLM00017	4	1/4 FEMALE DISCONNECT
26	MLM00016	2	TWIST LOCK CONNECTOR
27	MLM00120	2	FORK TERMINAL
28	MLM00092	2	FORK TERMINAL
29	MAE00004	2	#4-40NC X 3/8 LG BHSCS SS

## DRAWING REVISION HISTORY LISTING

**PART NO:** 841401

**DESCRIPTION:** #28 ELECTRICAL BOX/MOTOR SUB-ASSEMBLY 208-240V, 60Hz, 1Ph

<u>APPR.</u>	<u>REV</u>	<u>DATE</u>	<u>BY</u>	<u>DESCRIPTION OF REVISION</u>
SWB	A	2/20/96	TLW	DXF from ORCAD to Autocad AND ADDED RV1 (MQH00031) QTY 1 Metal Oxide Varistor.
SWB	-----	1/8/97	AH	Joined 8414S01 and 8414S02 CAD files together and renamed to 841401.DWG. Incremented SHT 2 from NO REV to REV A in order to sync with SHT 1.
TLW	B	7/21/00	BWW	Revised ITEM HM1 Hour Meter from MLN00089 to MKH00005 which is now multi-range meter. Corrected QTY of ITEM 15, MLM00001, Ring Terminal from 5 to 4. Added ITEM 25, MLM00017, Quick Slide connectors at WP9 and 10. See PCR 99037. Also added ITEM 26, 816326, Lable to match product structure and added WP20 location.
RAD	C	01/22/02	BEA	Updated drawings ORCAD to current methods. Renamed drawings 841400 Sheets 1A and 1B instead of Sheets 1 and 2 to combine BOM. Deleted MLM00001, MLM00085 and MLM00119. Added MLM00010, MLM00092, MLM00120 and MLM00171.Changed QTY of MLM00017 from 2 to 4.
BEA	D	11/30/04	BWW	REVISED TO ADD ITEM 29 MAE00004 QTY 2 FOR HOUR METER ATTACHMENT.
SWB	E	11/11/05	BWW	MOVED NOTES TO FACE OF DRAWING AND ADDED NOTE 4 FOR CLARITY.