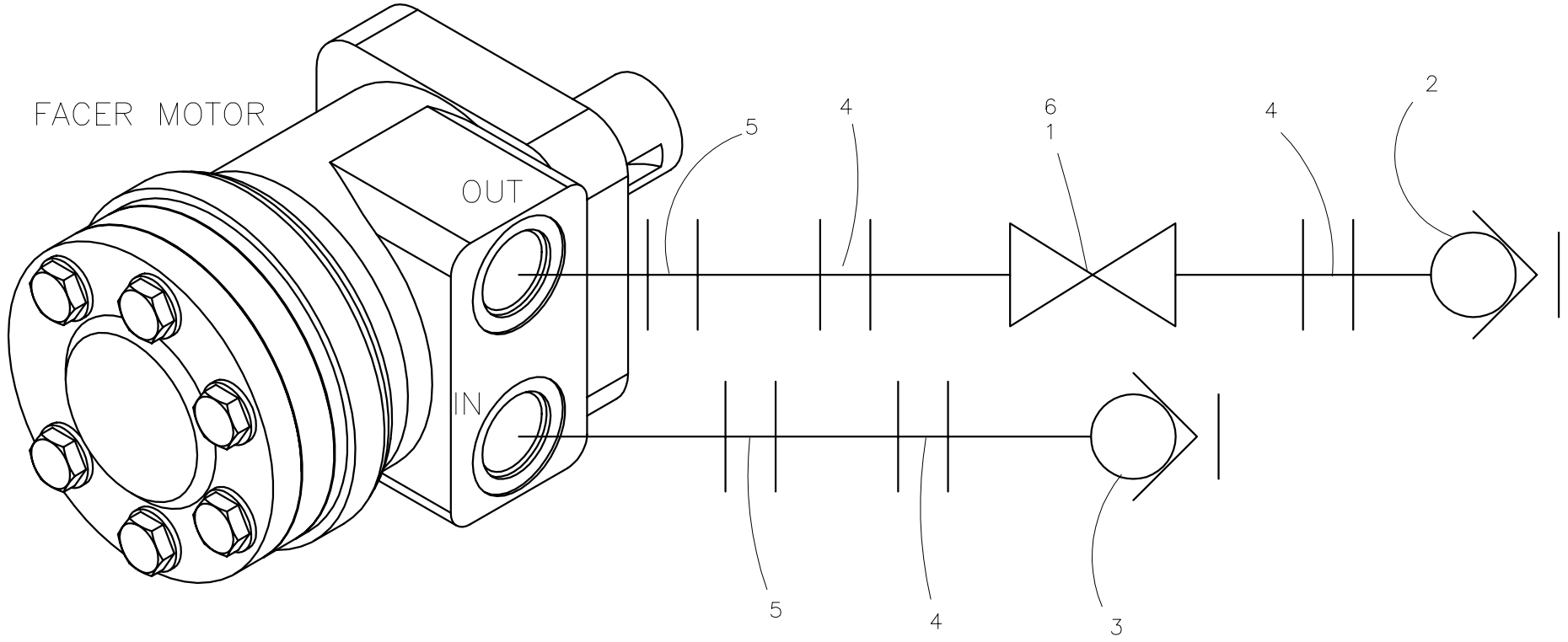




McElroy Manufacturing, Inc.
 The leader by design.
 Tulsa, Oklahoma U.S.A.

DRAWN: BWW	CHECK: MLM	APPRV'D: SWB	DATE: 06/12/02	DWG No: 840600	SHT No: 1	REV No: B	PART No: 840601
FACER HYDRAULIC/PLUMBING SCHEMATIC							CAD No: 840601

NOTE: THIS DRAWING AND THE INFORMATION CONTAINED THEREIN IS THE CONFIDENTIAL AND PROPRIETARY PROPERTY OF McElroy Manufacturing, Inc. THE DRAWING IS NOT TO BE REPRODUCED IN ANY MANNER, SUBMITTED OUTSIDE PARTIES FOR EXAMINATION, OR USED DIRECTLY OR INDIRECTLY FOR THE PURPOSES OTHER THAN THOSE FOR WHICH IT WAS FURNISHED WITHOUT WRITTEN PERMISSION OF McElroy Manufacturing, Inc.



FACER HYDRAULIC/PLUMBING SCHEMATICParts List

ITEM	PART NO.	QTY	DESCRIPTION
	840601		ASSEMBLY
1	MEI00005	1	1/4NPT BALL VALVE
2	MFH00002	1	1/4FNPT QUICK DISCONNECT NIPPLE
3	MFH00001	1	1/4FNPT QUICK DISCONNECT COUPLER
4	MFA00192	3	4MPT/4MPT HEX NIPPLE
5	MFA00195	2	10MSAE/4FPT ADAPTER
6	816302	1	FACER VALVE LABEL CAP

NOTES:

1. WHEN ORDERING REPLACEMENT PARTS FOR THESE ITEMS VERIFY QUICK DISCONNECT FITTING: FOR NIPPLE STYLE ORDER MFH00001/MFH00002 AS SHOWN. FOR FLUSH FACE STYLE ORDER MFH00027/MFH00028.

DRAWING REVISION HISTORY LISTING

PART NO: 840601
DESCRIPTION: FACER HYDRAULIC/PLUMBING SCHEMATIC

<u>APPR.</u>	<u>REV</u>	<u>DATE</u>	<u>BY</u>	<u>DESCRIPTION OF REVISION</u>
LAA	A	02/11/03	BWW	CORRECTED CONNECTION FITTINGS TO BE IN PROPER IN/OUT PORTS.
SWB	B	05/03/04	BWW	REVISED DRAWING TO ADD ITEM 6, 816302 QTY 1 TO MATCH AS BUILT CONDITION.