

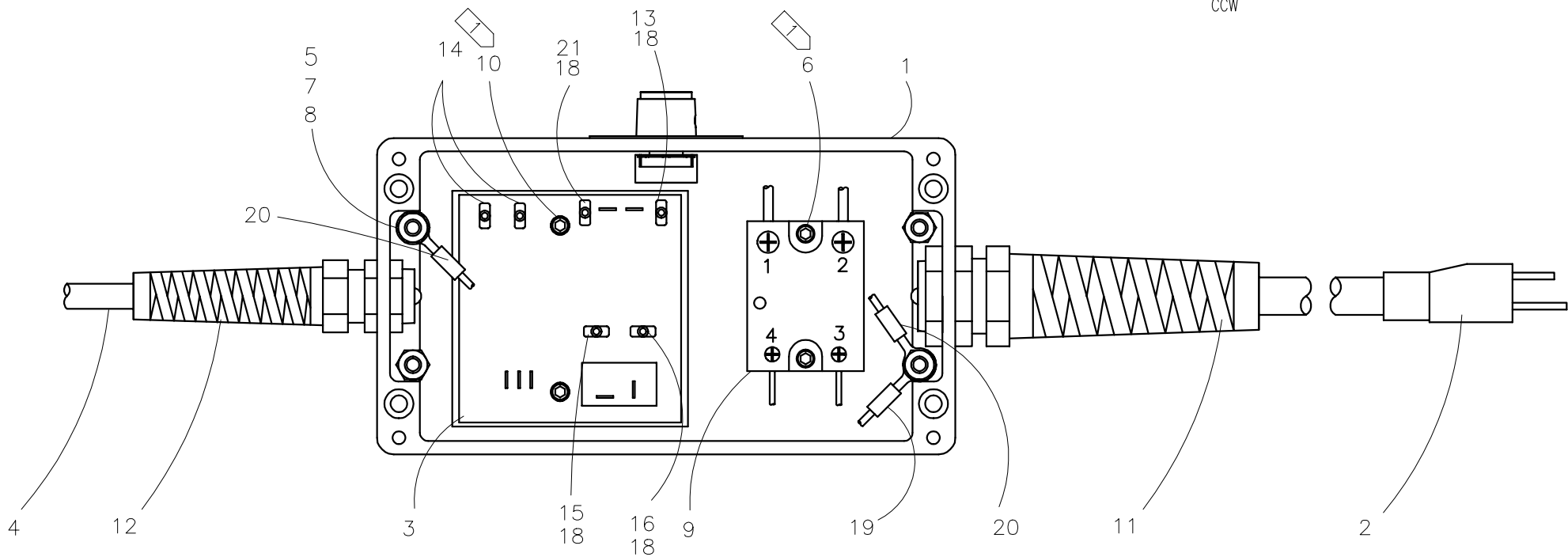
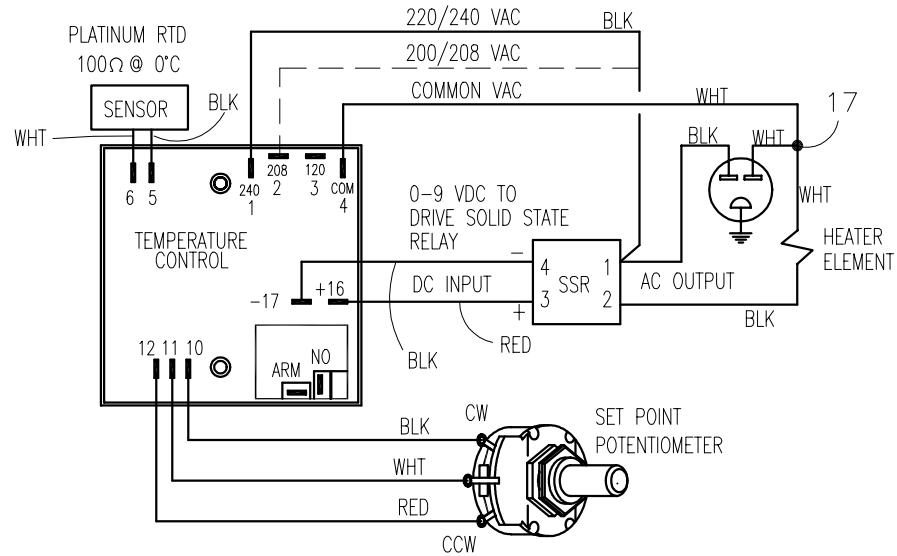


McElroy Manufacturing, Inc.
The leader by design.
Tulsa, Oklahoma U.S.A.

DRAWN: TLW	CHECK: BWP	APPRV'D: B	DATE: 3/04/96	DWG No: 838000	SHT No: 18	REV No: J	PART No: 838018
#28 LW HEATER ELECTRICAL ASSEMBLY 220-240V, 50/60Hz, 1Ph							CAD No: 838018

NOTE: THIS DRAWING AND THE INFORMATION CONTAINED THEREIN IS THE CONFIDENTIAL AND PROPRIETARY PROPERTY OF McElroy Manufacturing, Inc. THE DRAWING IS NOT TO BE REPRODUCED IN ANY MANNER, SUBMITTED OUTSIDE PARTIES FOR EXAMINATION, OR USED DIRECTLY OR INDIRECTLY FOR THE PURPOSES OTHER THAN THOSE FOR WHICH IT WAS FURNISHED WITHOUT WRITTEN PERMISSION OF McElroy Manufacturing, Inc.

HEATER SCHEMATIC



**#28 LW HEATER ELECTRICAL ASSEMBLY
220-240V, 50/60Hz, 1Ph**

PARTS LIST

ITEM	PART NO.	QTY.	DESCRIPTION
	838018		ASSEMBLY
1	838015	1	BOX MODIFICATION
2	MLE00031	1	#14/3 ELECTRICAL CABLE
3	841101	1	TEMPERATURE CONTROL MODIFICATION
4	841501	1	LIGHT WEIGHT HEATER CORD
5	MAH00107	4	1/4"-20NC. X 1 1/4" LG. BHSCS SS
6	MAN00013	2	#8-32NC. X 1/4" LG. SHCS SS
7	MBA00005	4	1/4"-20NC. HEX NUT
8	MBE00005	4	1/4" SPLIT LOCK WASHER
9	MKB00023	1	SOLID STATE RELAY
10	MAH00041	2	#8-32NC. X 3/4" LG. SHCS 18-8 SS
11	MLK00062	1	STRAIN RELIEF CONNECTOR
12	MLK00064	1	STRAIN RELIEF CONNECTOR
13	MLL00052	1FT	#14 MTW \ TEW WIRE, WHITE
14	MLM00146	2	1/4 FEMALE DISCONNECT #18-22
15	MLL00014	1FT	#16 MTW or TEW WIRE, BLACK
16	MLL00049	1FT	#16 MTW or TEW WIRE, RED
17	MLM00010	1	CONNECTOR
18	MLM00017	4	1/4 FEMALE DISCONNECT #14-16
19	MLM00173	1	RING TERMINAL
20	MLM00094	2	RING TERMINAL
21	MLL00002	1.5 FT.	#14 TMT/TEW ELECT. WIRE, BLACK (NOT SHOWN)

NOTES:

1. INTALL USING LOCTITE 242.

DRAWING REVISION HISTORY LISTING

PART NO: 838018

DESCRIPTION: #28 LW HEATER ELECTRICAL ASSEMBLY 220-240V, 50/60Hz, 1Ph

<u>APPR.</u>	<u>REV</u>	<u>DATE</u>	<u>BY</u>	<u>DESCRIPTION OF REVISION</u>
B	A	01/22/96	TLW	Changed to new tempature controller 220V
B	B	03/04/96	TLW	Wiring for temperature control for cw & ccw was wired backwards.
JRP	C	02/14/97	SS	ITEM #2 (838021) CHANGED TO (MLE00031).
JRP	D	02/25/97	AH	CHANGED ITEM #4 (841301) QTY. 20FT. TO 841501 QTY. 1
TLW	E	04/27/98	RLE	ADDED NOTE 1.
RAD	F	06/11/99	AH	DELETED ITEM #14(MLL00013) QTY 1Ft. CHANGED ITEM #18(MLM00017) QTY FROM 9 TO 6. THIS WAS DONE TO MATCH REVISED TEMP CONTROL MODIFICATION #841101.
TLW	G	9/22/00	PB	ITEM #9 MKB00023 IS NEW MODEL SOLID RELAY WITH SELF ATTACHING CONNECTS. MLM00085 WAS MLM00017. DELETED ITEMS #15, #16 (MLM00001, MLM00008. ITEM #19 (MLM00173) WAS (MLM00092). ITEM #20 (1) RE'QD. WAS (2) REQ'D. ADDED ITEM #21 (MLL00002).
RAD	H	03/01/01	BWW	REVISED ITEM #7 QTY 5 TO QTY 4, ITEM #20 QTY 1 TO QTY 2. CHANGED ITEM #8 MBE00020 TO MBE00005 AND REMOVED ITEM #13 MLL00012. CHANGES REFLECT AS BUILT CONDITION.
RAD	J	11/06/01	BWW	REVISED TO ADD ITEMS 13 MLL00052 1FT, 14 MLM00146 QTY 2, 15 MLL00014 1FT, AND 16 MLL00049 1FT. CHANGED ITEM 18 FROM MLM00085 TO MLM00017 QTY 4. CHANGES MADE FOR BETTER RELIABILITY.