



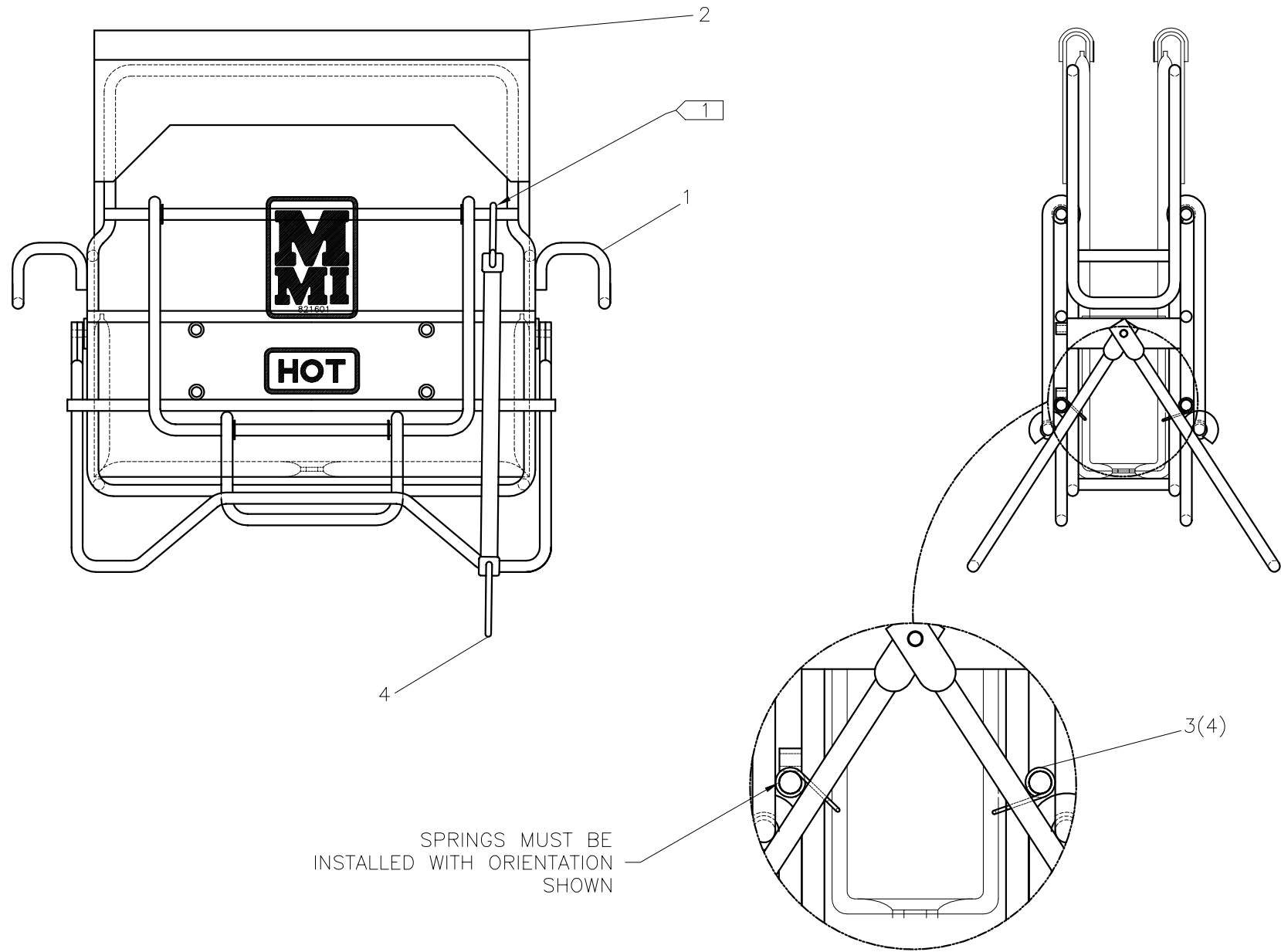
**McElroy Manufacturing, Inc.**  
 The leader by design.  
 Tulsa, Oklahoma U.S.A.

DRAWN: TLW	CHECK: JRP	APPRV'D: B	DATE: 8/3/96	SHT No: 2	REV No: F	PART No: 821802
------------	------------	------------	--------------	-----------	-----------	-----------------

HEATER BAG ASSEMBLY

NOTE: THIS DRAWING AND THE INFORMATION CONTAINED THEREIN IS THE CONFIDENTIAL AND PROPRIETARY PROPERTY OF McElroy Manufacturing, Inc. THE DRAWING IS NOT TO BE REPRODUCED IN ANY MANNER, SUBMITTED OUTSIDE PARTIES FOR EXAMINATION, OR USED DIRECTLY OR INDIRECTLY FOR THE PURPOSES OTHER THAN THOSE FOR WHICH IT WAS FURNISHED WITHOUT WRITTEN PERMISSION OF McElroy Manufacturing, Inc.

NOTES:  
 1. CLOSE LOOP THIS HOOK ONLY.



**HEATER BAG ASSEMBLY**Parts List

---

ITEM	PART NO.	QTY.	DESCRIPTION
	<b>821802</b>		<b>ASSEMBLY</b>
1	821905	1	HEATER BAG FRAME ASSEMBLY
2	821601	1	INSULATED HEATER BAG
3	1835208	4	LEG RETAINER SPRING
4	MJG00001	1	RUBBER BUNGEE CORD

---

## DRAWING REVISION HISTORY LISTING

**PART NO:** 821802  
**DESCRIPTION:** HEATER BAG ASSEMBLY

<u>APPR.</u>	<u>REV</u>	<u>DATE</u>	<u>BY</u>	<u>DESCRIPTION OF REVISION</u>
B	A	8/3/95	TLW	Reduced to 'A' size format. Created typed parts list.
SWB	B	10/24/96	SS	Modify drawing to reflect yellow straps on bag, change item #2 MJQ00051 to 821601.
B	C	2/11/97	SS	REVISED BAG FRAME PER WELDMENT 821905 REV. C. ADDED TIE STRAP PER 821601 REV F. RE-NUMBERED DRAWING AND BOM TO ORGANIZE.
TLW	D	02/13/98	JPS	REVISED DRAWING TO NEW VELCRO STRAP (822001) & DELETED HARDWARE ITEMS 3, 4, & 5 FOR ATTACHING OLD STRAP.
TLW	E	12/7/00	BWW	REVISED DRAWING TO SHOW NEW HEATER BAG FRAME DESIGN AND ADDED NEW PART LEG RETAINER SPRING (1835208) ITEM 3 AND DETAIL FOR ORIENTATION. REMOVED ITEM #7 (822001) CARRYING STRAP.
SWB	F	10/21/05	BWW	REMOVED PARTS LIST FROM DRAWING FACE PER PARTS FINDER PROJECT.