



McElroy Manufacturing, Inc.

The leader by design.

Tulsa, Oklahoma U.S.A.

DRAWN: TLW

CHECK: SWB

APPRV'D: B

DATE: 6/15/95

DWG No: 215500

SHT No: 2

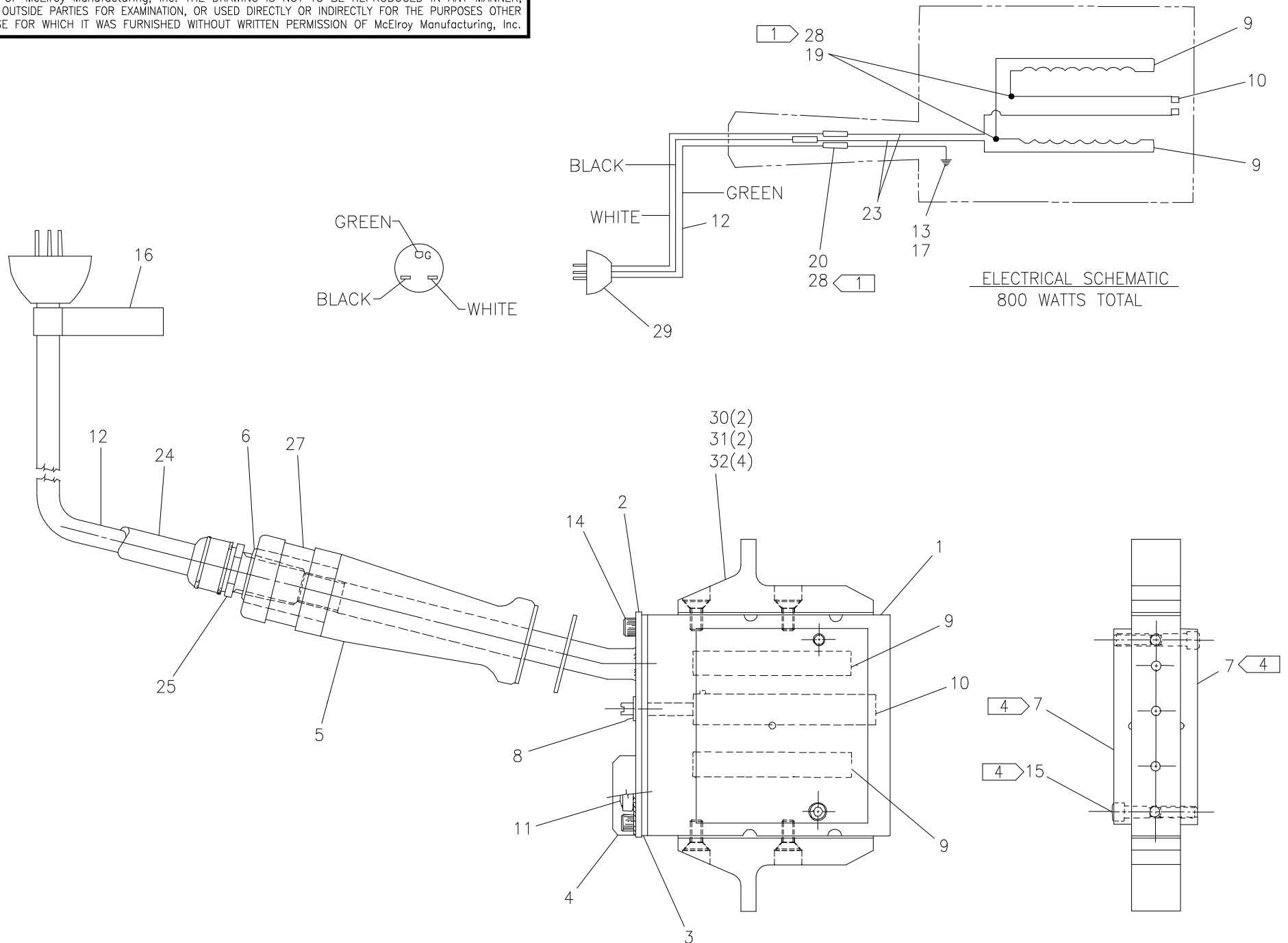
REV No: E

PART No: 215502

2" Multi-Mc BUTT PLATE HEATER ASSEMBLY 200-240V, 50/60Hz, 1Ph

CAD No: 215502

NOTE: THIS DRAWING AND THE INFORMATION CONTAINED THEREIN IS THE CONFIDENTIAL AND PROPRIETARY PROPERTY OF McElroy Manufacturing, Inc. THE DRAWING IS NOT TO BE REPRODUCED IN ANY MANNER, SUBMITTED OUTSIDE PARTIES FOR EXAMINATION, OR USED DIRECTLY OR INDIRECTLY FOR THE PURPOSES OTHER THAN THOSE FOR WHICH IT WAS FURNISHED WITHOUT WRITTEN PERMISSION OF McElroy Manufacturing, Inc.



**2" Multi-Mc BUTT PLATE HEATER ASSEMBLY
200-240V, 50/60 Hz, 1 Ph**

PARTS LIST

ITEM	PART NO.	QTY	DESCRIPTION
	215502		Assembly
1	214501	1	Heater Body
2	214601	1	Cover Plate Weldment
3	214701	1	Gasket
4	214801	1	Thermometer Guard
5	414701	1	Handle
6	415101	1	Adapter-Threaded
7	215401	2	Butt Fusion Plate
8	215601	1	Grommet
9	MLD00008	2	Heater Cartridge
10	MLC00007	1	Thermoswitch
11	MJK00001	1	Thermometer
12	MLE00034	20'	16/3 SJO Cord
13	MAH00036	1	#6-32 NC x 3/8" Lg. Type "F" H.H. Tap Screw
14	MAH00052	2	1/4"-20 NC x 3/4" Lg. SHCS 18-8 SS
15	MAH00072	2	1/4"-20 NC x 1-1/2" Lg. SHCS 18-8 SS
16	410906	1	Danger Not Explosion Proof Tag Label
17	MLM00004	1	Ring Terminal
18			
19	MJQ00046	2	Ferrule
20	MLM00003	3	Insulated Butt Splice
21			
22			
23	MLL00004	12"	#18 AWG Type Tagt. Wire
24	MHA00009	4"	3/8" I.D. x 9/16" O.D. Rubber Tube
25	MLK00007	1	Strain Relief Connector
26	A214102	1	Socket Screw/Driver Set
27	816353	1	Model 215502 Part No. Label
28	MLW00002	8"	Fiberglass Sleeving
29	MLF00007	1	Electrical Plug
30	215901	2	2" Multi-Mc Heater Support Bracket
31	215902	2	2" Multi-Mc Heater Support Bracket Gasket
32	MAH00073	4	1/4-20NCX5/8Lg. FHSCS

2" MULTI-Mc BUTT PLATE HEATER ASSEMBLY
200-240V, 50/60 Hz, 1 Ph

PARTS LIST (Continued)

ITEM	PART NO.	QTY	DESCRIPTION
------	----------	-----	-------------

NOTES:

1. Use Sleeving (Item 28) to cover exposed wiring.
2. Splice leads in handle.
3. Set and check temperature per SP-9.
4. These items are not part of this assembly. Order A215701 Butt Fusion Plate Kit for these parts.
- 5.
6. Item 26 is not shown on drawing.
7. Use part No. A215502 for total assembly which includes butt plates and stripper bar.

DRAWING REVISION HISTORY LISTING

PART NO: 215502

DESCRIPTION: 2" Multi-Mc BUTT PLATE HEATER ASSEMBLY 200-240V,50/60Hz, 1Ph

<u>APPR.</u>	<u>REV</u>	<u>DATE</u>	<u>BY</u>	<u>DESCRIPTION OF REVISION</u>
B	C	5/16/95	SWB	SCANNED & REDUCED TO 'A' SIZE FORMAT.
SWB	D	1/21/97	DJL	CHANGED 220V-240V TO 200-240V. CHANGED ITEM 27(P/N 410903) LABEL TO NEW LABEL(P/N 816353) TO SPECIFY VOLTAGE & WATTS. ADDED ITEM 16(P/N 410906) EXPLOSION PROOF LABEL AT PLUG END OF POWER CORD. ADDED PLUG WIRE LOCATIONS FOR ITEM 29. REMOVED NOTE 5 FOR RESTAMPING BODY FOR 220V. ITEM 19 P/N WAS MJQ00026.
TLW	-	12/12/97	JPS	FIXED ITEM #20 DESCRIPTION TO MATCH AS400.
SWB	E	9/23/98	DJL	REPLACED ITEM 2 (215301 COVER PLATE WELDMENT) WITH 214601 COVER PLATE WELDMENT. ADDED ITEMS 30,31, & 32. (ADDING SIDE BRACKETS)
TLW	-	5/24/99	MRP	ADDED NOTE 7.