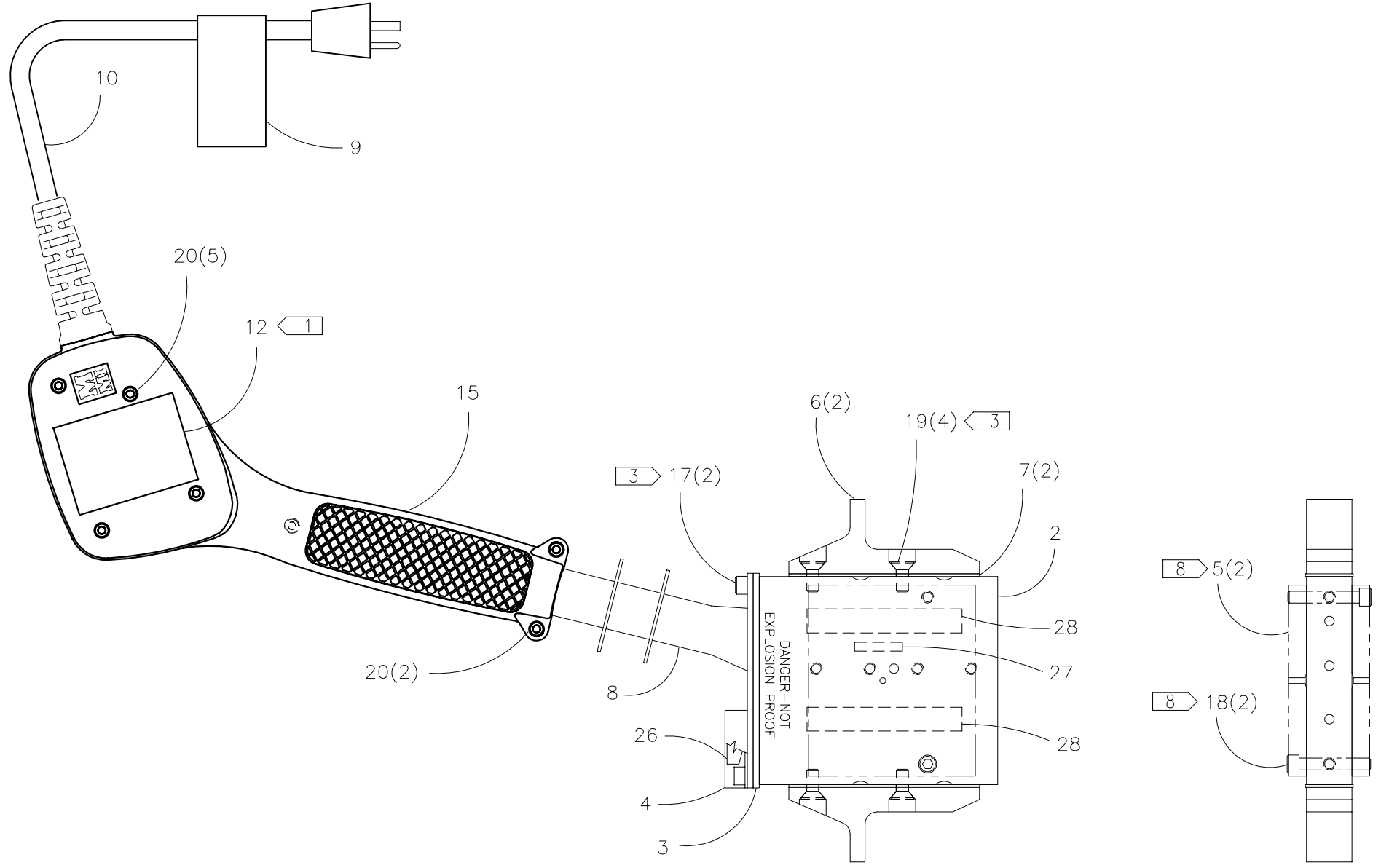




McElroy Manufacturing, Inc.
 The leader by design.
 Tulsa, Oklahoma U.S.A.

DRAWN: RLE	CHECK: TMT	APPRV'D: JRP	DATE: 3/5/02	DWG No: 215500	SHT No: 3A	REV No: C	PART No: 215503
2" Multi-Mc BUTT PLATE HEATER ASSEMBLY 100-120V, 50/60Hz, 1Ph							CAD No: 215503

NOTE: THIS DRAWING AND THE INFORMATION CONTAINED THEREIN IS THE CONFIDENTIAL AND PROPRIETARY PROPERTY OF McElroy Manufacturing, Inc. THE DRAWING IS NOT TO BE REPRODUCED IN ANY MANNER, SUBMITTED OUTSIDE PARTIES FOR EXAMINATION, OR USED DIRECTLY OR INDIRECTLY FOR THE PURPOSES OTHER THAN THOSE FOR WHICH IT WAS FURNISHED WITHOUT WRITTEN PERMISSION OF McElroy Manufacturing, Inc.



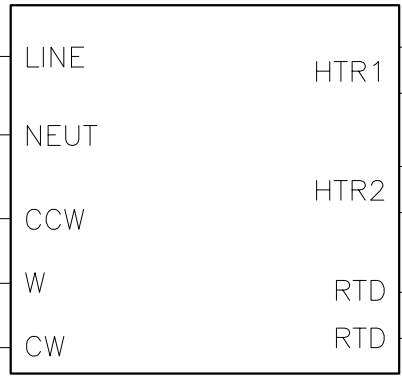
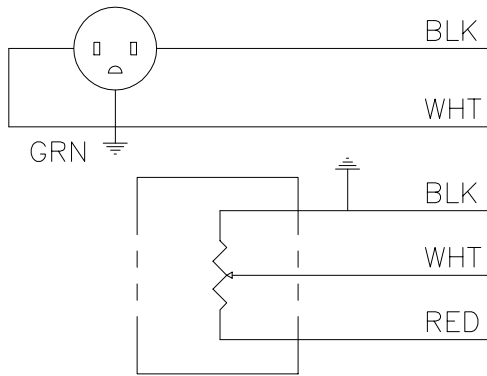


McElroy Manufacturing, Inc.
The leader by design.
Tulsa, Oklahoma U.S.A.

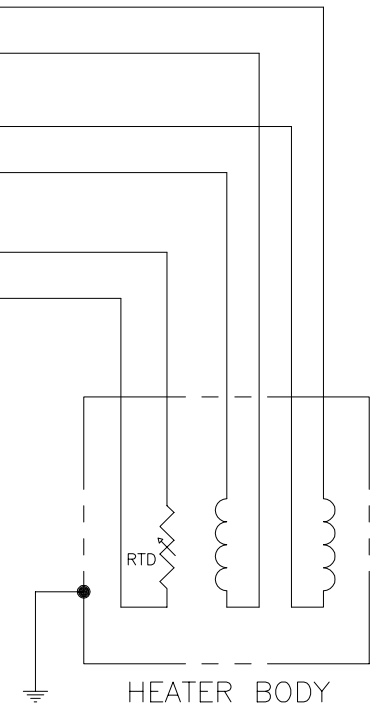
DRAWN: RLE	CHECK: TMT	APPRV'D: JRP	DATE: 3/5/02	DWG No: 215500	SHT No: 3B	REV No: C	PART No: 215503
2" Multi-Mc BUTT PLATE HEATER ASSEMBLY 100-120V, 50/60Hz, 1Ph							CAD No: 215503

NOTE: THIS DRAWING AND THE INFORMATION CONTAINED THEREIN IS THE CONFIDENTIAL AND PROPRIETARY PROPERTY OF McElroy Manufacturing, Inc. THE DRAWING IS NOT TO BE REPRODUCED IN ANY MANNER, SUBMITTED OUTSIDE PARTIES FOR EXAMINATION, OR USED DIRECTLY OR INDIRECTLY FOR THE PURPOSES OTHER THAN THOSE FOR WHICH IT WAS FURNISHED WITHOUT WRITTEN PERMISSION OF McElroy Manufacturing, Inc.

120 VAC PLUG

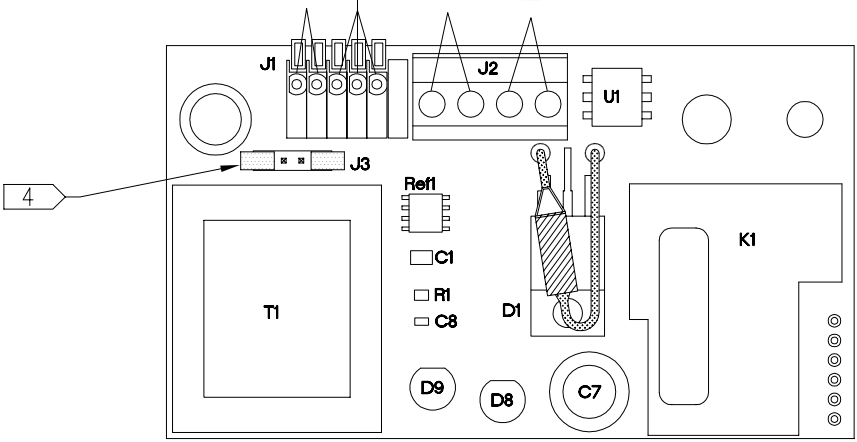


TEMP ADJUST

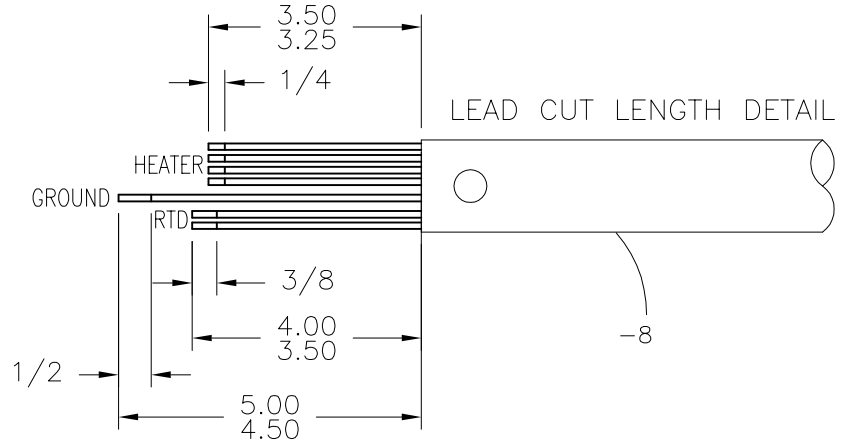


HEATER BODY

RTD LEADS
POTENTIOMETER LEADS
HEATER ELEMENT LEADS
POWER LEADS



DETAIL ITEM -13 REF.



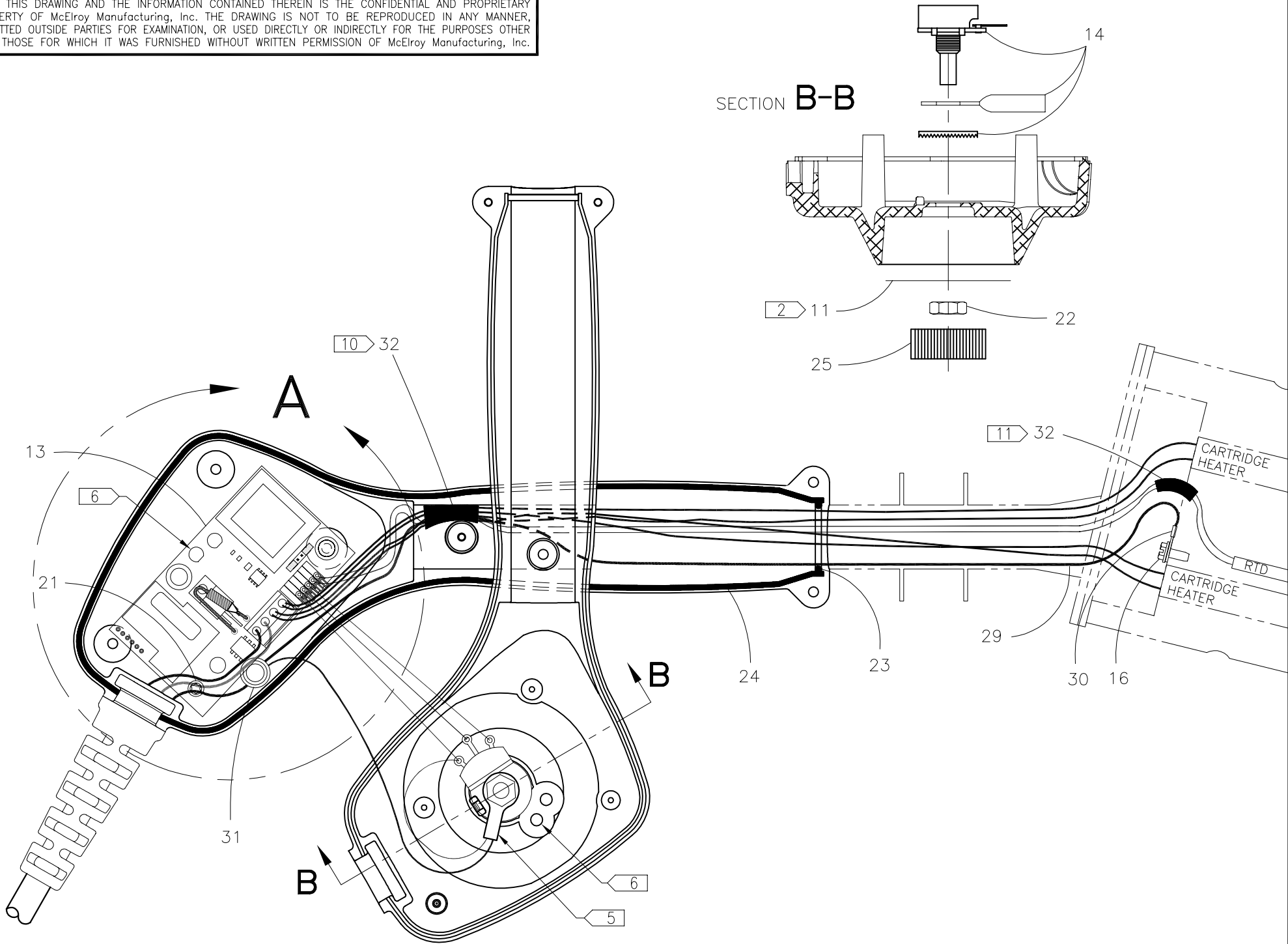
LEAD CUT LENGTH DETAIL



McElroy Manufacturing, Inc.
 The leader by design.
 Tulsa, Oklahoma U.S.A.

DRAWN: RLE	CHECK: TMT	APPRV'D: JRP	DATE: 3/5/02	DWG No.: 215500	SHT No.: 3C	REV No.: C	PART No.: 215503
2" Multi-Mc BUTT PLATE HEATER ASSEMBLY 100-120V, 50/60Hz, 1Ph							CAD No.: 215503

NOTE: THIS DRAWING AND THE INFORMATION CONTAINED THEREIN IS THE CONFIDENTIAL AND PROPRIETARY PROPERTY OF McElroy Manufacturing, Inc. THE DRAWING IS NOT TO BE REPRODUCED IN ANY MANNER, SUBMITTED OUTSIDE PARTIES FOR EXAMINATION, OR USED DIRECTLY OR INDIRECTLY FOR THE PURPOSES OTHER THAN THOSE FOR WHICH IT WAS FURNISHED WITHOUT WRITTEN PERMISSION OF McElroy Manufacturing, Inc.



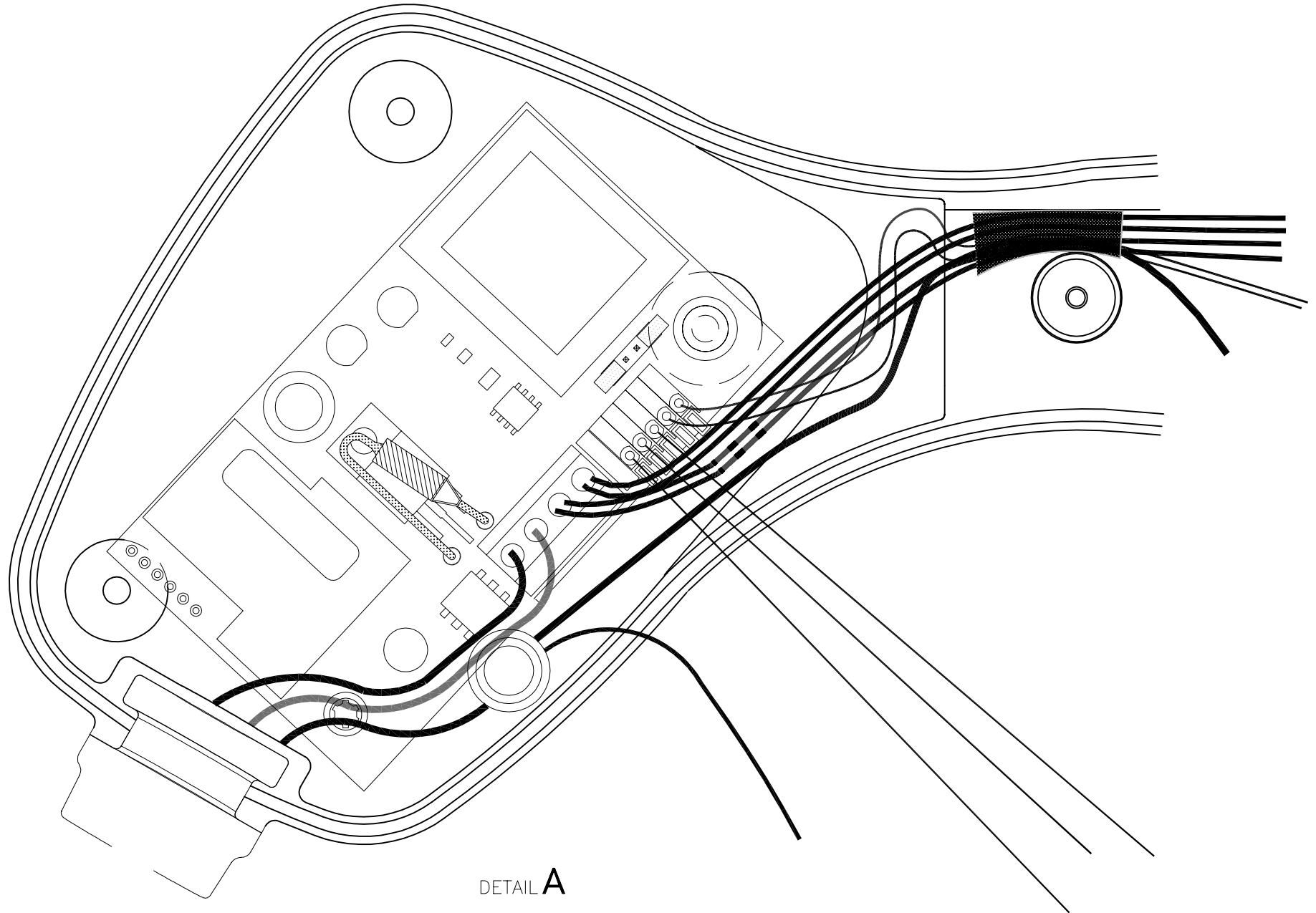


McElroy Manufacturing, Inc.
The leader by design.
Tulsa, Oklahoma U.S.A.

DRAWN: RLE	CHECK: TMT	APPRV'D: JRP	DATE: 3/5/02	DWG No: 215500	SHT No: 3D	REV No: C	PART No: 215503
2" Multi-Mc BUTT PLATE HEATER ASSEMBLY 100-120V, 50/60Hz, 1Ph							CAD No: 215503

NOTE: THIS DRAWING AND THE INFORMATION CONTAINED THEREIN IS THE CONFIDENTIAL AND PROPRIETARY PROPERTY OF McElroy Manufacturing, Inc. THE DRAWING IS NOT TO BE REPRODUCED IN ANY MANNER, SUBMITTED OUTSIDE PARTIES FOR EXAMINATION, OR USED DIRECTLY OR INDIRECTLY FOR THE PURPOSES OTHER THAN THOSE FOR WHICH IT WAS FURNISHED WITHOUT WRITTEN PERMISSION OF McElroy Manufacturing, Inc.

DETAIL TO SHOW HOW TO LAY WIRES INTO ENCLOSURE



DETAIL A

**2" Multi-Mc BUTT PLATE HEATER ASSEMBLY
100-120V, 50/60Hz, 1Ph**

Parts List

ITEM	PART NO.	QTY.	DESCRIPTION
	215503		ASSEMBLY
1	A214102	1	SOCKET FUSION SCREW/DRIVER KIT (NOT SHOWN)
2	214501	1	Multi-Mc HEATER BODY
3	214701	1	Multi-Mc HEATER COVER PLATE GASKET
4	214801	1	Multi-Mc THERMAL GUARD
5	215401	2	Multi-Mc HEATER BUTT PLATE
6	215901	2	2" Multi-Mc HEATER SUPPORT BRACKET
7	215902	2	2" Multi-Mc HEATER SUPPORT BRACKET GASKET
8	226501	1	HEATER COVER PLATE WELDMENT
9	410906	1	DANGER NOT EXPLOSION PROOF TAG LABEL
10	434201	1	13AMP/120V POWER CORD
11	816382	1	TEMPERATURE SCALE LABEL
12	816385	1	MODEL 215503 PART NO. LABEL
13	T5030001	1	HEATER CONTROL PCB ASSEMBLY
14	T5030002	1	POTENTIOMETER ASSEMBLY
15	T5030103	1	HEATER HANDLE/ENCLOSURE
16	MAH00036	1	#6-32NC x 3/8 LG. HWH TC SCREW
17	MAH00052	2	1/4-20NC x 3/4 LG. SHCS SS
18	MAH00072	2	1/4-20NC x 1-1/2 LG. SHCS SS
19	MAH00073	4	1/4-20NC x 5/8 LG. FHSCS SS
20	MAL00010	7	#6-19 x 3/4LG TORX T15 PAN HEAD SCREW
21	MAL00011	1	#6-19 x 1/4LG TORX T15 PAN HEAD SCREW
22	MBA00067	1	HEX SEAL NUT
23	MDL00018	1	O-RING
24	MDL00243	26IN	.070 DIA. BUNA-N O-RING STOCK
25	MJJ00023	1	CONTROL KNOB
26	MJK00001	1	5" LG., 150-750° F THERMOMETER
27	MKI00003	1	1 x 3/16 316SS 100 OHM PLATINUM RTD
28	MLD00008	2	120V, 400W, 1/2 x 2-1/2 CARTRIDGE HEATER
29	MLL00004	18IN	#18 TYPE TGGT ELECTRICAL WIRE
30	MLM00004	1	RING TERMINAL
31	MLM00010	1	CONNECTOR
32	MLN00219	8IN	FIBERGLASS TAPE

NOTES:

- ITEM 12 SHOULD BE ORIENTED THE SAME AS THE MMI LOGO.
- ITEM 11 MUST BE ORIENTED SO THE NOTCH ENGAGES THE KEY ON ITEM 15.

2" Multi-Mc BUTT PLATE HEATER ASSEMBLY
100-120V, 50/60Hz, 1Ph

Parts List

ITEM	PART NO.	QTY.	DESCRIPTION
3.			INSTALL WITH HIGH TEMPERATURE ANTI-SEIZE COMPOUND.
4.			PLACE TWO JUMPERS AS SHOWN FOR 100-120V OPERATION.
5.			RING TERMINAL MUST BE ORIENTED AS SHOWN.
6.			WHEN MATING HALVES, MAKE SURE THE LED ON THE PC BOARD, ITEM 13, FITS INTO LONG SOCKET ON COVER.
7.			SET AND CHECK TEMPERATURE PER SP-9.
8.			THESE ITEMS ARE NOT PART OF THIS ASSEMBLY. ORDER A215701 BUTT PLATE REPLACEMENT KIT FOR THESE PARTS.
9.			USE PART NUMBER A215503 FOR TOTAL ASSEMBLY WHICH INCLUDES BUTT PLATES AND SCREWS.
10.			TAPE WIRES IN AREA OF HANDLE BOSS TO PREVENT PINCHING AT ASSEMBLY.
11.			TAPE RTD WIRES IN AREA OF RTD HOLE EXIT TO PREVENT CHAFFING.

DRAWING REVISION HISTORY LISTING

PART NO: 215503

DESCRIPTION: 2" Multi-Mc BUTT PLATE HEATER ASSEMBLY 100-120V, 50-60Hz, 1Ph

<u>APPR.</u>	<u>REV</u>	<u>DATE</u>	<u>BY</u>	<u>DESCRIPTION OF REVISION</u>
SWB	A	01/20/03	BWW	ADDED ITEM 32 MLN00219 WITH QTY OF 8IN & ADDED NOTES 10 AND 11 FOR TAPING WIRES TO MATCH AS BUILT CONDITION. ADDED LENGTH TOLERANCE TO LEAD CUT DETAIL.
SWB	B	8/15/03	RLE	REVISED STRIP LENGTH ON RTD ONLY FROM 3/16 TO 3/8 TO MAKE COMPATIBLE WITH CONNECTOR USED ON REV. 'B' HEATER CONTROL PCB ASSEMBLY (T5030001) & UPDATED PICTURE OF HEATER CONTROL PCB ASSEMBLY.
SWB	C	10/27/03	BWW	CORRECTED PICTORIALY THE VIEW OF THE PCB BOARD ON SHT 3C AND 3D TO SHOW CURRENT DESIGN.